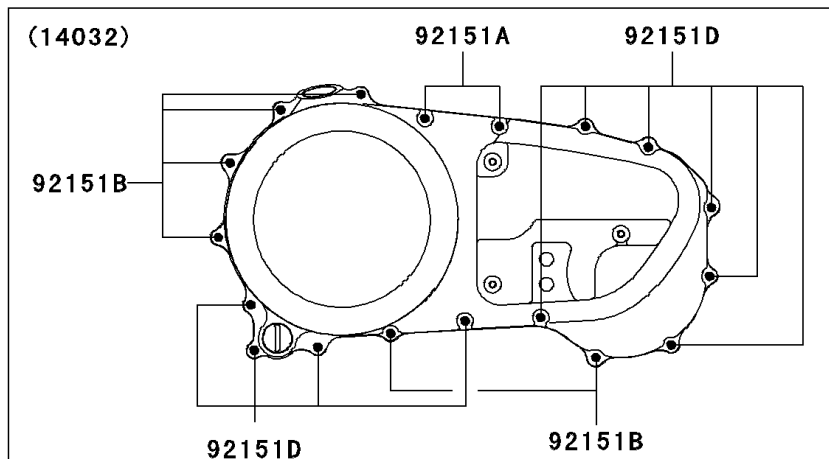
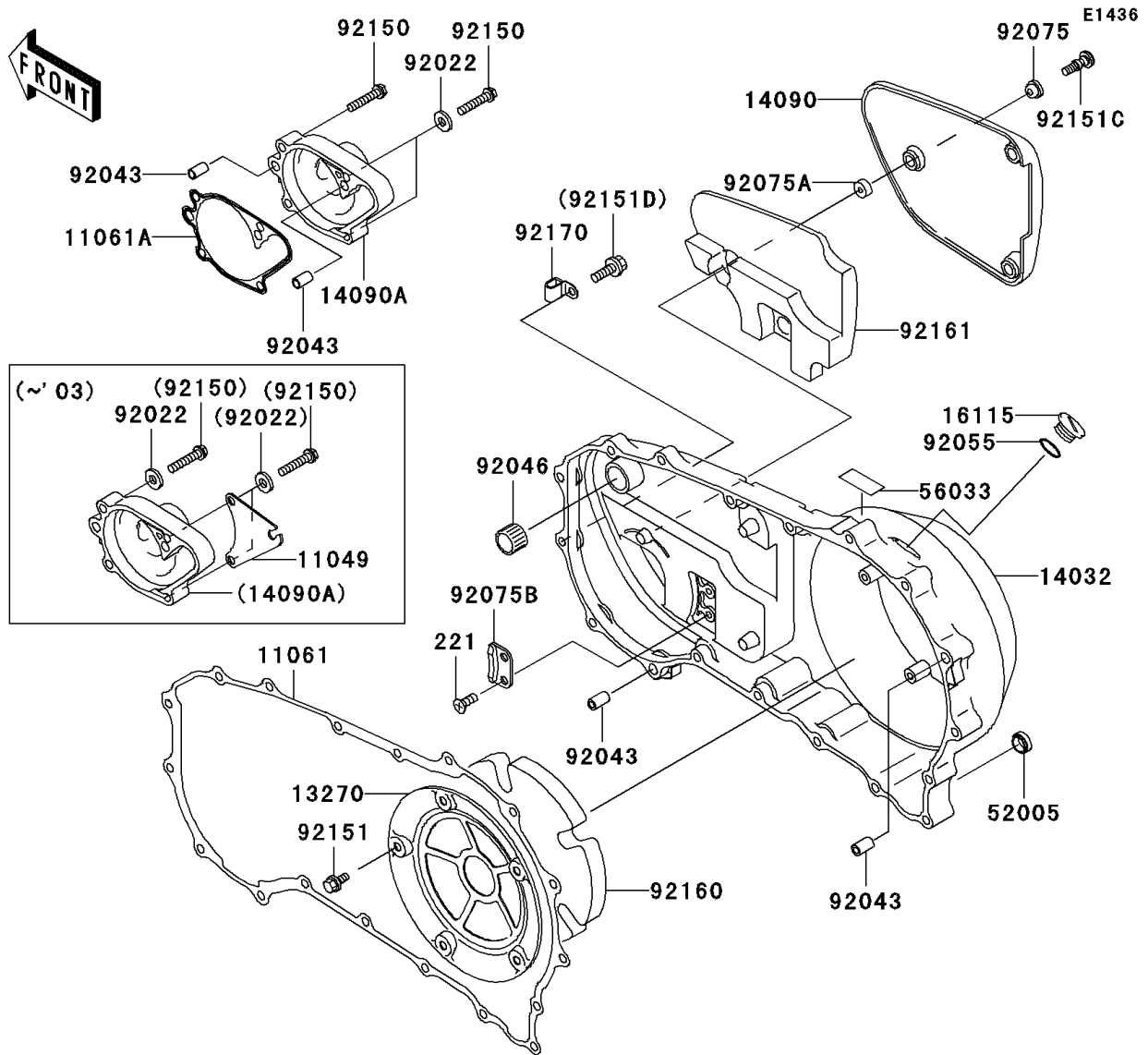


2001 Vulcan® 1500 Drifter® PARTS DIAGRAM

Right Engine Cover(s)



2001 Vulcan® 1500 Drifter® PARTS LIST

Right Engine Cover(s)

| ITEM NAME | PART NUMBER | QUANTITY |
|---|-------------|----------|
| SCREW-CSK-CROS,6X12 (Ref # 221) | 221B0612 | 1 |
| BRACKET (Ref # 11049) | 11049-1789 | 1 |
| GASKET,CLUTCH COVER (Ref # 11061) | 11061-1081 | 1 |
| GASKET,WATER PUMP COVER (Ref # 11061A) | 11061-1172 | 1 |
| PLATE (Ref # 13270) | 13270-1592 | 1 |
| COVER-CLUTCH (Ref # 14032) | 14032-1493 | 1 |
| COVER,CLUTCH OUTER (Ref # 14090) | 14090-1678 | 1 |
| COVER,WATER PUMP (Ref # 14090A) | 14090-1932 | 1 |
| CAP-OIL FILLER (Ref # 16115) | 16115-1063 | 1 |
| GAUGE,OIL LEVEL (Ref # 52005) | 52005-1009 | 1 |
| LABEL-MANUAL,OIL CAPACITY (Ref # 56033) | 56033-1156 | 1 |
| WASHER,6.1X12X1 (Ref # 92022) | 92022-077 | 1 |
| PIN,6.2X8X14 (Ref # 92043) | 92043-1263 | 1 |
| BEARING-NEEDLE,HK1212 (Ref # 92046) | 92046-1163 | 1 |
| RING-O,31.7X2.4 (Ref # 92055) | 92055-049 | 1 |
| DAMPER (Ref # 92075) | 92075-1855 | 1 |
| DAMPER (Ref # 92075A) | 92075-1856 | 1 |
| DAMPER (Ref # 92075B) | 92075-1905 | 1 |
| BOLT,6X30 (Ref # 92150) | 92150-1021 | 1 |
| BOLT,6X10 (Ref # 92151) | 92151-1064 | 1 |
| BOLT,6X30 (Ref # 92151A) | 92151-1134 | 1 |
| BOLT,6X35 (Ref # 92151B) | 92151-1135 | 1 |
| BOLT,L=22.5 (Ref # 92151C) | 92151-1273 | 1 |
| BOLT,6X25 (Ref # 92151D) | 92151-1930 | 1 |
| DAMPER (Ref # 92160) | 92160-1716 | 1 |
| DAMPER (Ref # 92161) | 92161-1139 | 1 |
| CLAMP (Ref # 92170) | 92170-1804 | 1 |