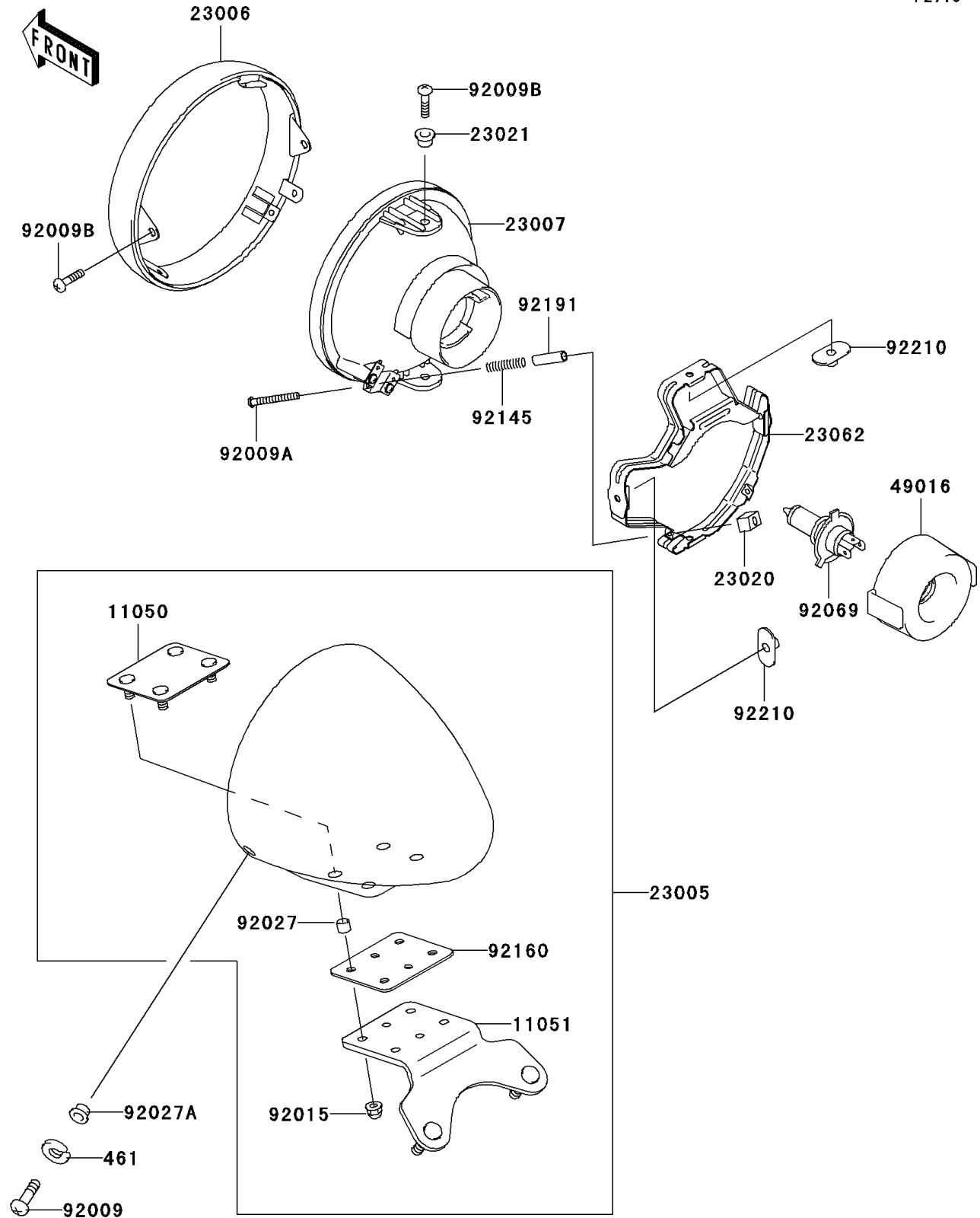


1999 Vulcan® 1500 Drifter® PARTS DIAGRAM

Headlight(s)

F2710



1999 Vulcan® 1500 Drifter® PARTS LIST

Headlight(s)

| ITEM NAME | PART NUMBER | QUANTITY |
|---|---------------|----------|
| WASHER-SPRING,5MM,BLACK (Ref # 461) | 461K0500 | 1 |
| BRACKET,HEAD LAMP BODY (Ref # 11050) | 11050-1978 | 1 |
| BRACKET,HEAD LAMP BODY (Ref # 11051) | 11051-1085 | 1 |
| BODY-COMP-HEAD LAMP,BLACK (Ref # 23005) | 23005-1172-10 | 1 |
| RIM-LAMP (Ref # 23006) | 23006-1079 | 1 |
| LENS-COMP,HEAD LAMP (Ref # 23007) | 23007-1359 | 1 |
| NUT,4MM,FOCUS ADJUST (Ref # 23020) | 23020-018 | 1 |
| WASHER (Ref # 23021) | 23021-010 | 1 |
| BRACKET-COMP,HEAD LAMP (Ref # 23062) | 23062-1131 | 1 |
| COVER-SEAL,SOCKET (Ref # 49016) | 49016-1203 | 1 |
| SCREW,5X16 (Ref # 92009) | 92009-1693 | 1 |
| SCREW,FOCUS ADJUST,4X60 (Ref # 92009A) | 92009-1816 | 1 |
| SCREW,5X16 (Ref # 92009B) | 92009-1879 | 1 |
| NUT,CAP,6MM,BLACK (Ref # 92015) | 92015-1170 | 1 |
| COLLAR,6.8X10X6 (Ref # 92027) | 92027-103 | 1 |
| COLLAR,HEAD LAMP,BLACK (Ref # 92027A) | 92027-1503 | 1 |
| BULB,12V 60/55W,H4 (Ref # 92069) | 92069-1002 | 1 |
| SPRING,HEAD LAMP LENS (Ref # 92145) | 92145-1268 | 1 |
| DAMPER (Ref # 92160) | 92160-1960 | 1 |
| TUBE,3.5X5.5X19 (Ref # 92191) | 92191-1217 | 1 |
| NUT,SPECIAL,5MM (Ref # 92210) | 92210-1060 | 1 |