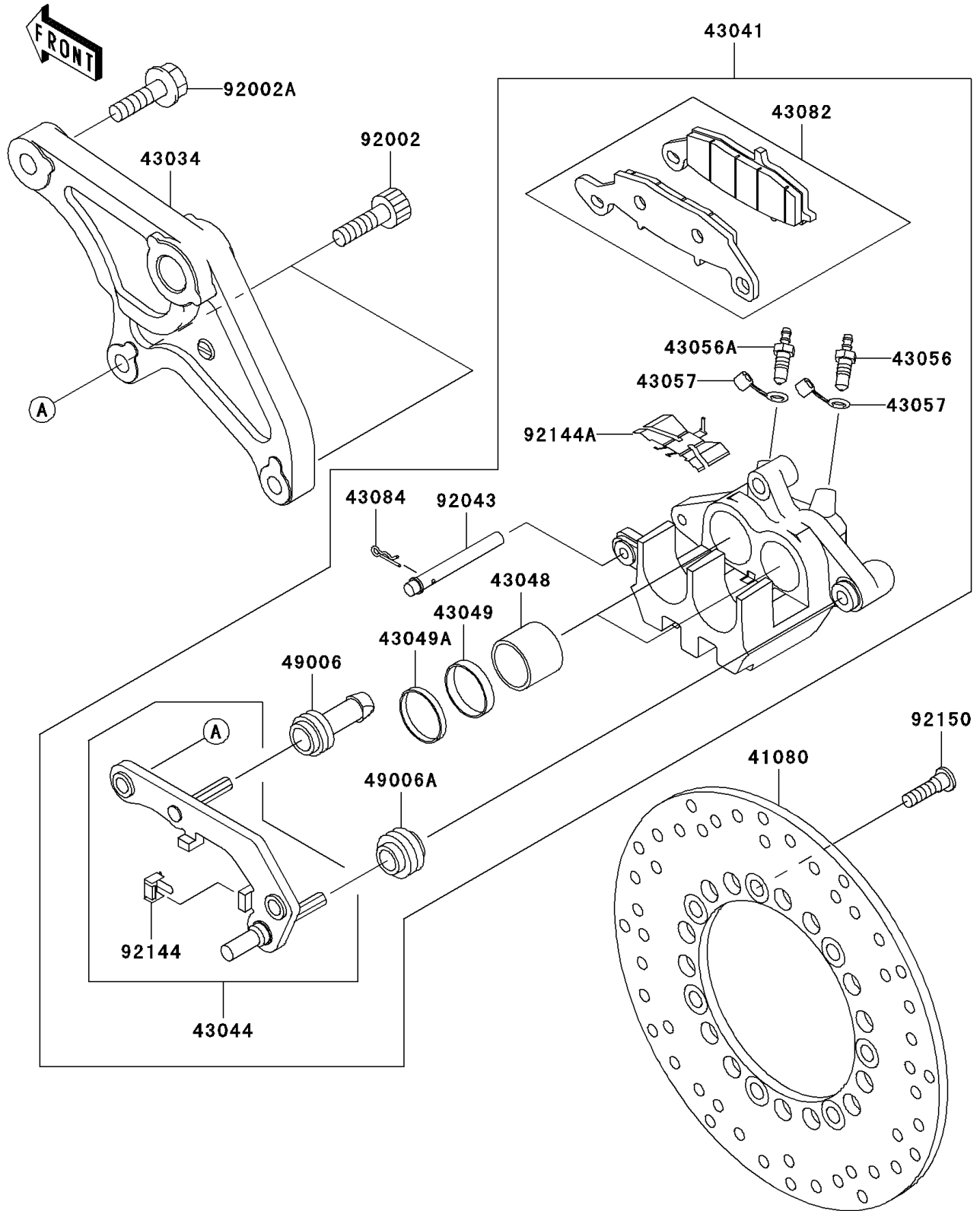


1999 Vulcan® 1500 Drifter® PARTS DIAGRAM

Rear Brake

F2294



1999 Vulcan® 1500 Drifter® PARTS LIST

Rear Brake

| ITEM NAME | PART NUMBER | QUANTITY |
|---|---------------|----------|
| DISC,RR,SILVER (Ref # 41080) | 41080-1459-CM | 1 |
| HOLDER-BRAKE,REAR CALIPER (Ref # 43034) | 43034-1154 | 1 |
| CALIPER-ASSY,RR,SILVER (Ref # 43041) | 43041-1685-GN | 1 |
| HOLDER-COMP-CALIPER,RR (Ref # 43044) | 43044-1125 | 1 |
| PISTON-CALIPER (Ref # 43048) | 43048-1073 | 1 |
| PACKING (Ref # 43049) | 43049-1067 | 1 |
| PACKING (Ref # 43049A) | 43049-1068 | 1 |
| BREATHER (Ref # 43056) | 43056-003 | 1 |
| BREATHER-BRAKE (Ref # 43056A) | 43056-1054 | 1 |
| CAP-BREATHER (Ref # 43057) | 43057-003 | 1 |
| PAD-ASSY-BRAKE (Ref # 43082) | 43082-1232 | 1 |
| CLAMP,PAD (Ref # 43084) | 43084-003 | 1 |
| BOOT,CALIPER (Ref # 49006) | 49006-1054 | 1 |
| BOOT,CALIPER (Ref # 49006A) | 49006-1095 | 1 |
| BOLT,SOCKET,10X17 (Ref # 92002) | 92002-1713 | 1 |
| BOLT,FLANGED,12X40 (Ref # 92002A) | 92002-1969 | 1 |
| PIN,PAD (Ref # 92043) | 92043-1489 | 1 |
| SPRING,STOPPER (Ref # 92144) | 92144-1831 | 1 |
| SPRING,PAD,RH (Ref # 92144A) | 92144-1844 | 1 |
| BOLT,SOCKET,8X30 (Ref # 92150) | 92150-1771 | 1 |