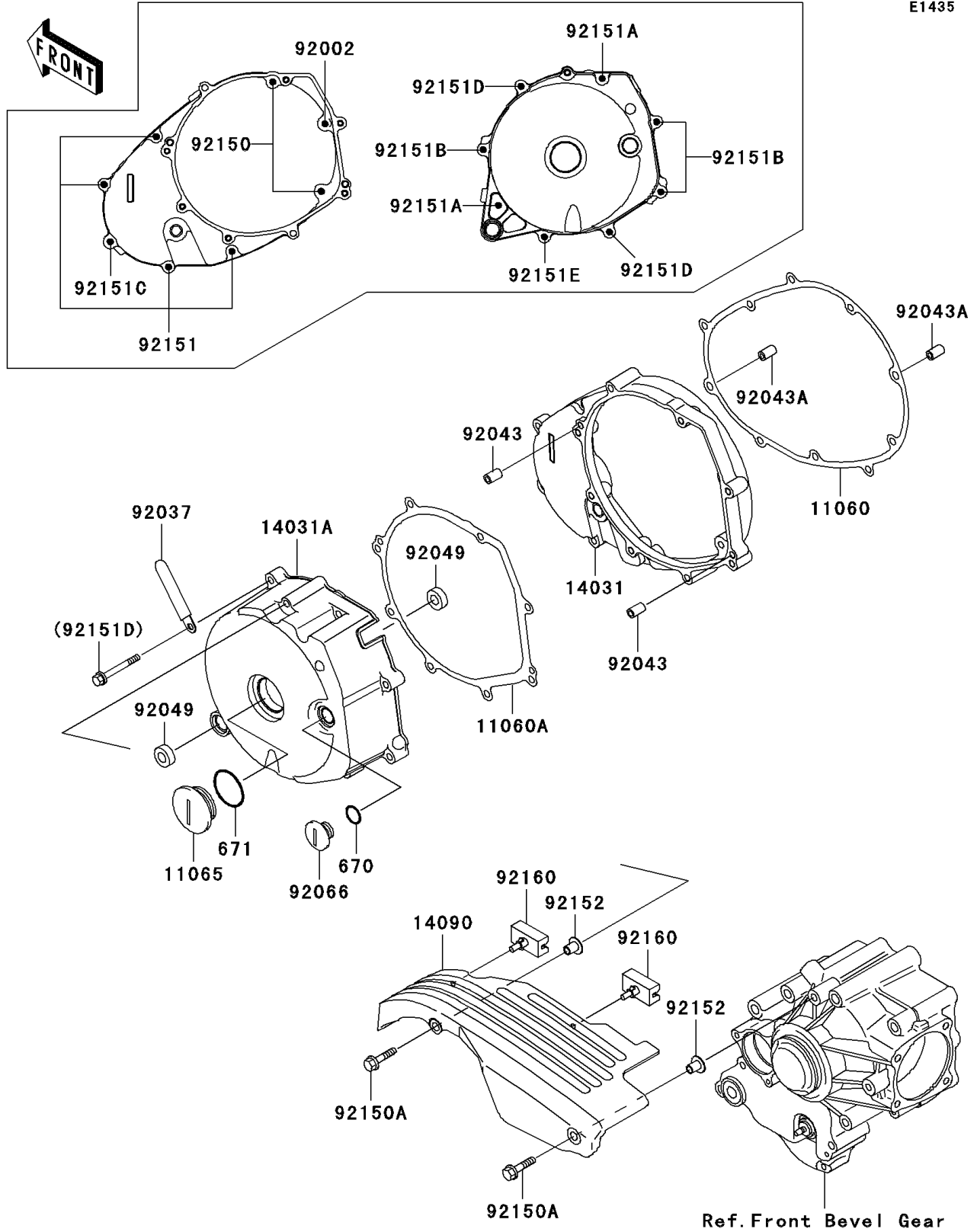


## 1999 Vulcan® 1500 Drifter® PARTS DIAGRAM

Left Engine Cover(s)

E1435



## 1999 Vulcan® 1500 Drifter® PARTS LIST

Left Engine Cover(s)

ITEM NAME	PART NUMBER	QUANTITY
O RING,18MM (Ref # 670)	670B2018	1
O RING,40MM (Ref # 671)	671B2540	1
GASKET,GENERATOR COVER,IN (Ref # 11060)	11060-1838	1
GASKET,GENERATOR COVER,OUT (Ref # 11060A)	11060-1839	1
CAP,GENERATOR (Ref # 11065)	11065-1113	1
COVER-GENERATOR,INNER (Ref # 14031)	14031-1364	1
COVER-GENERATOR,OUTER (Ref # 14031A)	14031-1365	1
COVER (Ref # 14090)	14090-1987	1
BOLT,6X40 (Ref # 92002)	92002-1566	1
CLAMP,L=45 (Ref # 92037)	92037-1539	1
PIN,4.2X6X12 (Ref # 92043)	92043-1262	1
PIN,6.2X8X14 (Ref # 92043A)	92043-1263	1
SEAL-OIL,VB13193 (Ref # 92049)	92049-1398	1
PLUG (Ref # 92066)	92066-1482	1
BOLT,6X30 (Ref # 92150)	92150-1021	1
BOLT,6X25 (Ref # 92150A)	92150-1829	1
BOLT,6X25 (Ref # 92151)	92151-1130	1
BOLT,6X40 (Ref # 92151A)	92151-1131	1
BOLT,6X30 (Ref # 92151B)	92151-1134	1
BOLT,6X35 (Ref # 92151C)	92151-1135	1
BOLT,6X60 (Ref # 92151D)	92151-1235	1
BOLT,6X20 (Ref # 92151E)	92151-1252	1
COLLAR (Ref # 92152)	92152-1123	1
DAMPER (Ref # 92160)	92160-1977	1