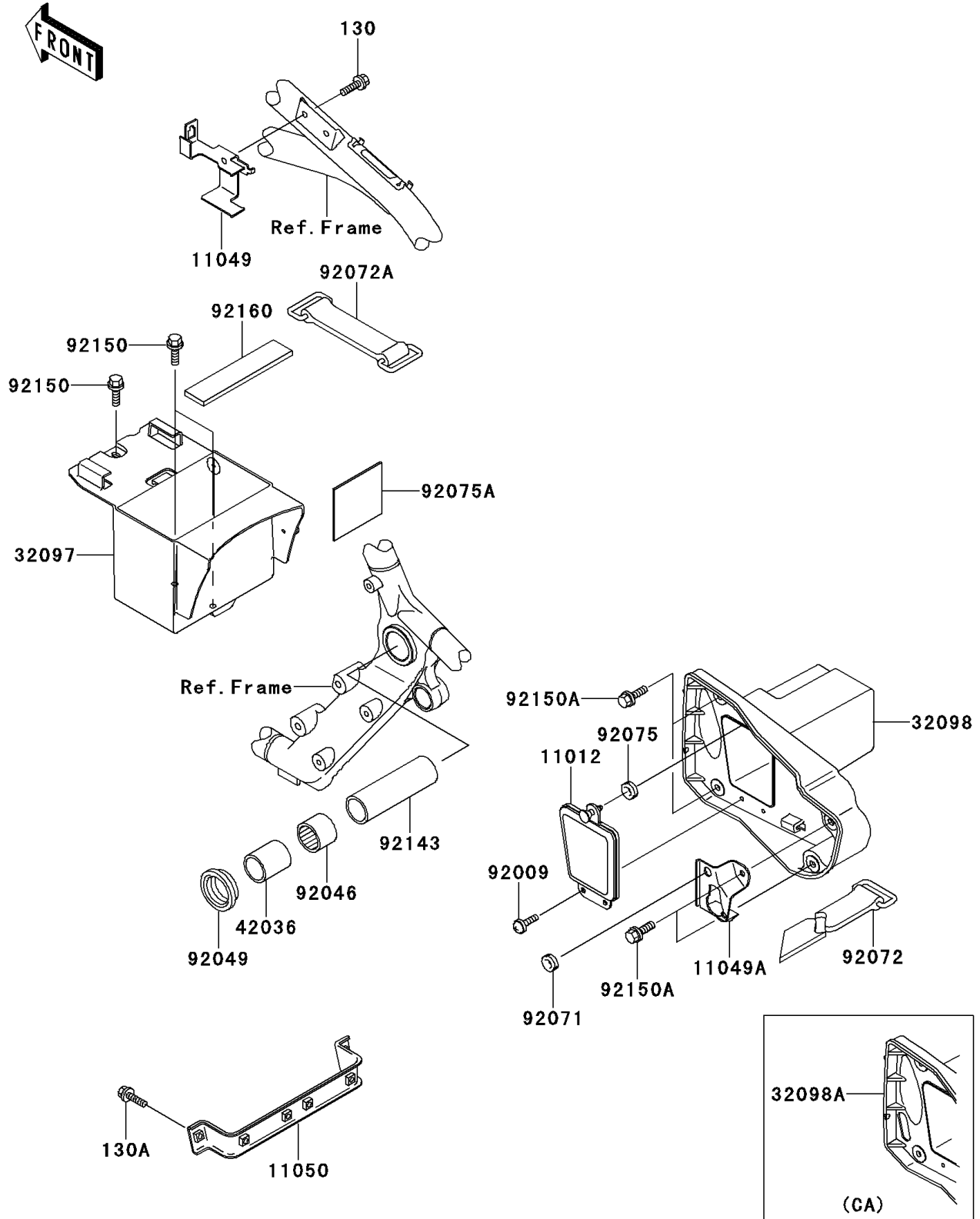


1999 Vulcan® 1500 Nomad™ PARTS DIAGRAM

Battery Case

F2132



1999 Vulcan® 1500 Nomad™ PARTS LIST

Battery Case

ITEM NAME	PART NUMBER	QUANTITY
BOLT-FLANGED (Ref # 130)	130J0610	1
BOLT-FLANGED,6X16,BLACK (Ref # 130A)	130J0616	1
CAP,TOOL CASE (Ref # 11012)	11012-1956	1
BRACKET,FUEL PUMP (Ref # 11049)	11049-1599	1
BRACKET,LOCK (Ref # 11049A)	11049-1600	1
BRACKET,REGULATOR (Ref # 11050)	11050-1694	1
CASE-BATTERY (Ref # 32097)	32097-1161	1
SLEEVE,L=45 (Ref # 42036)	42036-1330	1
SCREW,TAPPING,5X14 (Ref # 92009)	92009-1635	1
BEARING-NEEDLE,BM2824 (Ref # 92046)	92046-1202	1
SEAL-OIL (Ref # 92049)	92049-1181	1
GROMMET (Ref # 92071)	92071-056	1
BAND (Ref # 92072A)	92072-1384	1
DAMPER (Ref # 92075)	92075-1629	1
DAMPER,BATTERY (Ref # 92075A)	92075-1864	1
COLLAR,20.2X27X90 (Ref # 92143)	92143-1878	1
BOLT,6X14 (Ref # 92150)	92150-1133	1
BOLT,6X16 (Ref # 92150A)	92150-1198	1
DAMPER (Ref # 92160)	92160-1779	1
CASE-TOOL (Ref # 32098)	32098-1109	1
CASE-TOOL (Ref # 32098A)	32098-1124	1
BAND,L=470 (Ref # 92072)	92072-1331	1