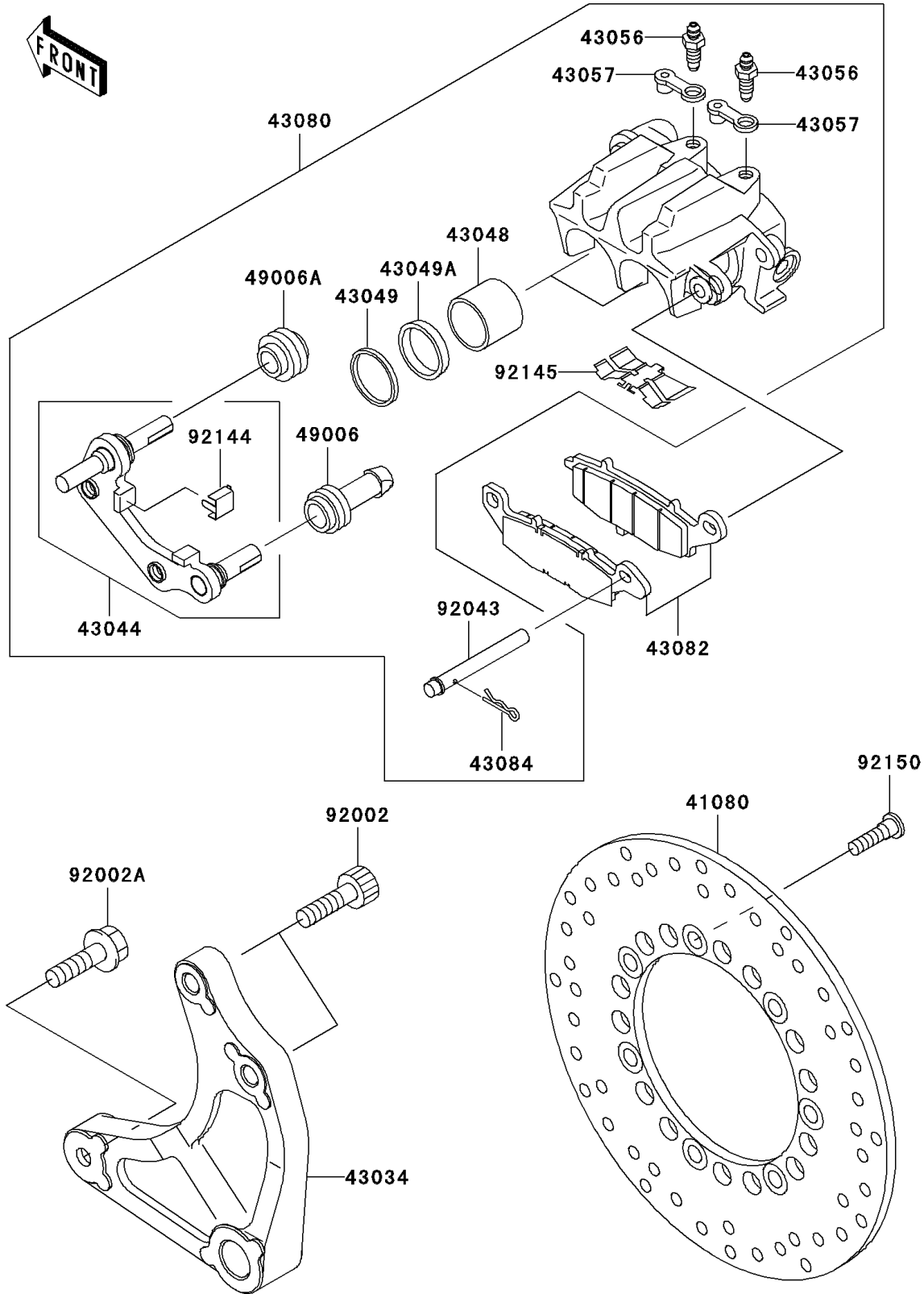


## 2004 Vulcan® 1500 Classic PARTS DIAGRAM

Rear Brake

F2294



## 2004 Vulcan® 1500 Classic PARTS LIST

Rear Brake

ITEM NAME	PART NUMBER	QUANTITY
DISC,RR,SILVER (Ref # 41080)	41080-1459-CM	1
HOLDER-BRAKE,REAR CALIPER (Ref # 43034)	43034-1162	1
HOLDER-COMP-CALIPER (Ref # 43044)	43044-1129	1
PISTON-CALIPER (Ref # 43048)	43048-1073	1
PACKING (Ref # 43049)	43049-1068	1
PACKING,PISTON SEAL (Ref # 43049A)	43049-1092	1
BREATHER-BRAKE (Ref # 43056)	43056-1054	1
CAP-BREATHER (Ref # 43057)	43057-003	1
CALIPER-SUB-ASSY,RR,SILVER (Ref # 43080)	43080-5097-GN	1
PAD-ASSY-BRAKE (Ref # 43082)	43082-1260	1
CLAMP,PAD (Ref # 43084)	43084-003	1
BOOT,CALIPER (Ref # 49006)	49006-1054	1
BOOT,CALIPER (Ref # 49006A)	49006-1095	1
BOLT,SOCKET,10X17 (Ref # 92002)	92002-1713	1
BOLT,FLANGED,12X40 (Ref # 92002A)	92002-1969	1
PIN,PAD (Ref # 92043)	92043-1489	1
SPRING,STOPPER (Ref # 92144)	92144-1831	1
SPRING,PAD (Ref # 92145)	92145-1322	1
BOLT,SOCKET,8X30 (Ref # 92150)	92150-1771	1