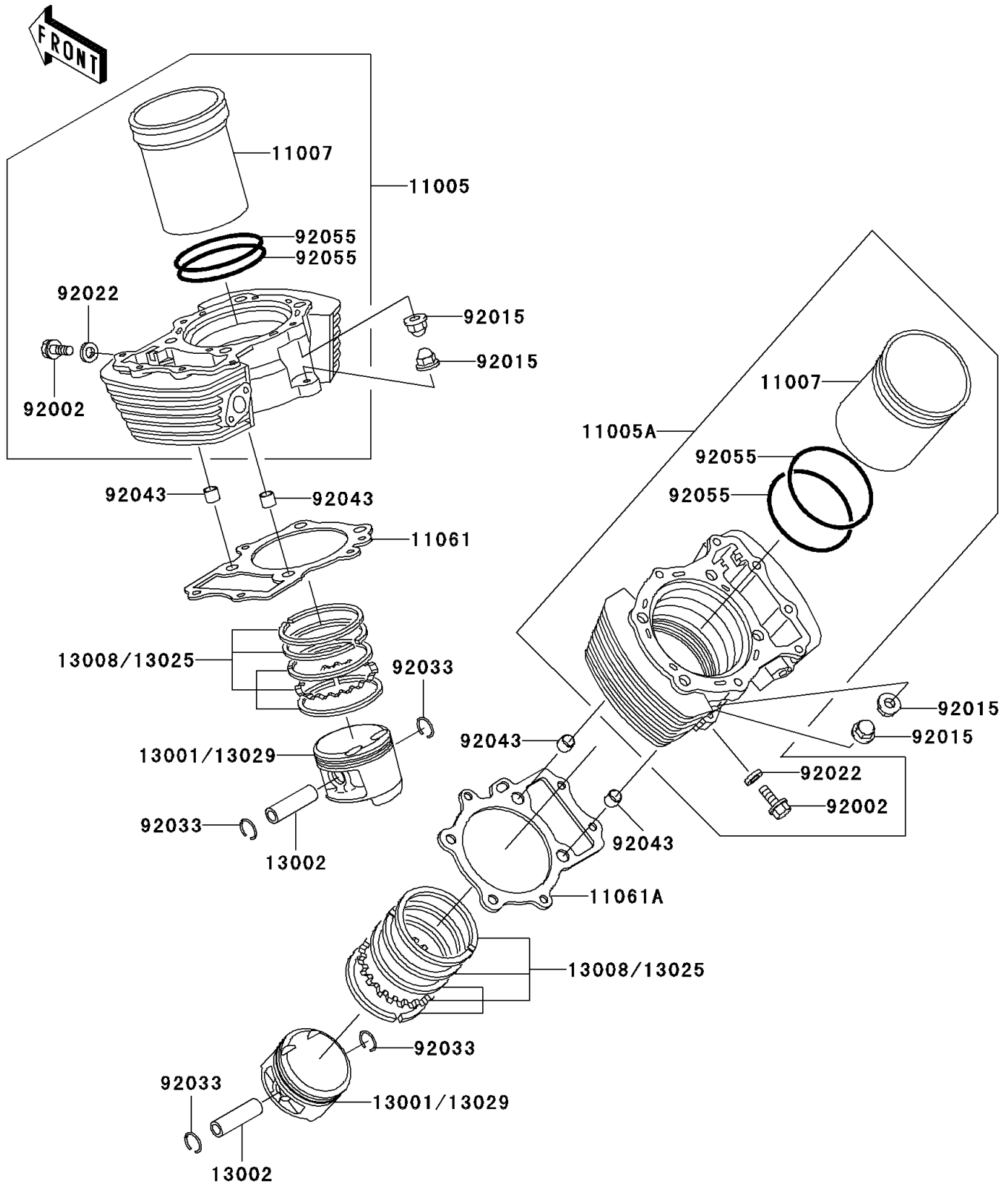


2004 Vulcan® 1500 Classic PARTS DIAGRAM

Cylinder/Piston(s)

E1120



2004 Vulcan® 1500 Classic PARTS LIST

Cylinder/Piston(s)

| ITEM NAME | PART NUMBER | QUANTITY |
|--|-------------|----------|
| CYLINDER-ENGINE,FR (Ref # 11005) | 11005-0006 | 1 |
| CYLINDER-ENGINE,RR (Ref # 11005A) | 11005-0008 | 1 |
| LINER-CYLINDER (Ref # 11007) | 11007-1176 | 1 |
| GASKET,CYLINDER BASE,FR (Ref # 11061) | 11061-1083 | 1 |
| GASKET,CYLINDER BASE,RR (Ref # 11061A) | 11061-1084 | 1 |
| PISTON-ENGINE,STD (Ref # 13001) | 13001-1542 | 1 |
| PIN-PISTON (Ref # 13002) | 13002-1107 | 1 |
| RING-SET-PISTON,STD (Ref # 13008) | 13008-1172 | 1 |
| RING-SET-PISTON L,O/S 0.50 (Ref # 13025) | 13025-1081 | 1 |
| PISTON-ENGINE L,O/S 0.50 (Ref # 13029) | 13029-1233 | 1 |
| BOLT,6X12 (Ref # 92002) | 92002-1569 | 1 |
| NUT,CAP,8MM (Ref # 92015) | 92015-1370 | 1 |
| WASHER,6.1X12X1 (Ref # 92022) | 92022-077 | 1 |
| RING-SNAP (Ref # 92033) | 92033-1226 | 1 |
| PIN,13X16X14 (Ref # 92043) | 92043-1608 | 1 |
| RING-O,110.5X2.5 (Ref # 92055) | 92055-1371 | 1 |