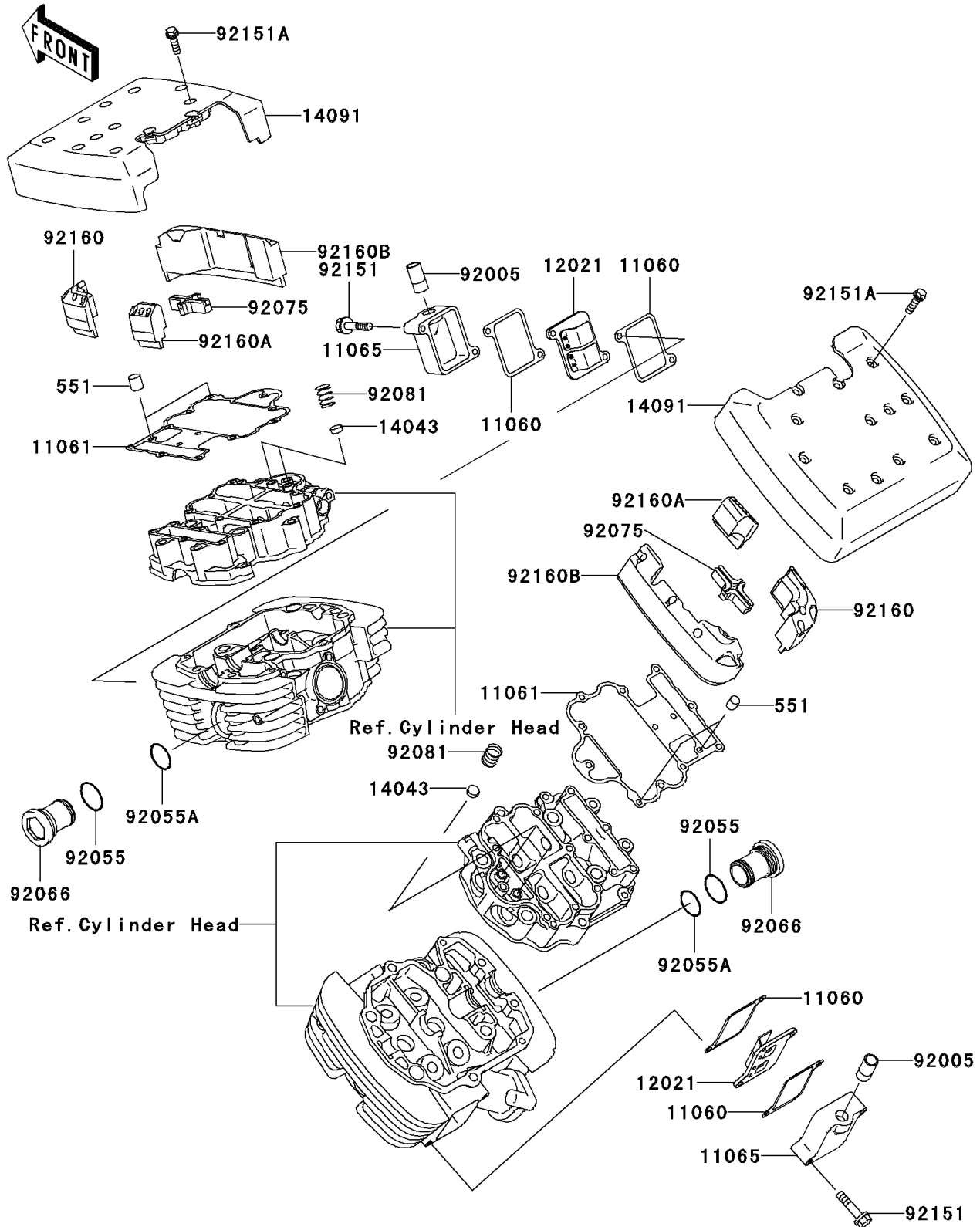


## 2004 Vulcan® 1500 Classic PARTS DIAGRAM

Cylinder Head Cover

E1112



## 2004 Vulcan® 1500 Classic PARTS LIST

Cylinder Head Cover

ITEM NAME	PART NUMBER	QUANTITY
PIN-DOWEL,6X12 (Ref # 551)	551A0612	1
GASKET,REED VALVE CAP (Ref # 11060)	11060-1733	1
GASKET,ROCKER CASE COVER (Ref # 11061)	11061-1175	1
CAP,REED VALVE (Ref # 11065)	11065-0031	1
VALVE-ASSY-REED (Ref # 12021)	12021-1108	1
FILTER,OIL (Ref # 14043)	14043-1056	1
COVER,ROCKER CASE (Ref # 14091)	14091-1167	1
FITTING,REED VALVE (Ref # 92005)	92005-1006	1
RING-O,31.7X2.4 (Ref # 92055)	92055-049	1
RING-O,27.7X1.9 (Ref # 92055A)	92055-1272	1
PLUG,SLEEVE (Ref # 92066)	92066-1445	1
DAMPER (Ref # 92075)	92075-1998	1
SPRING,OIL FILTER (Ref # 92081)	92081-1776	1
BOLT,6X45 (Ref # 92151)	92151-1059	1
BOLT,6X20 (Ref # 92151A)	92151-1252	1
DAMPER (Ref # 92160)	92160-1698	1
DAMPER (Ref # 92160A)	92160-1699	1
DAMPER (Ref # 92160B)	92160-1711	1