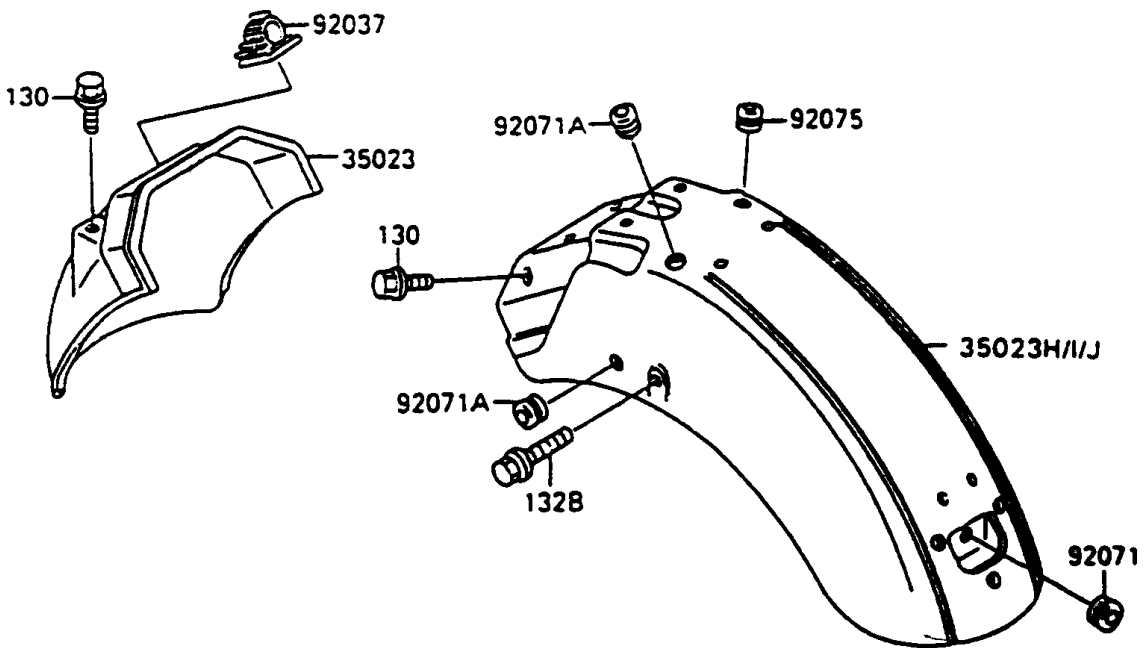
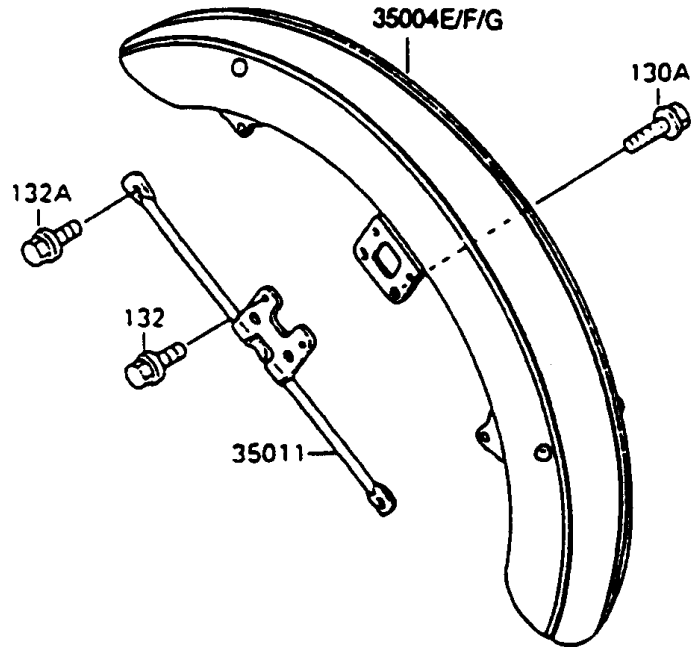


1992 Vulcan® 88 PARTS DIAGRAM

Fenders

F2170



1992 Vulcan® 88 PARTS LIST

Fenders

ITEM NAME	PART NUMBER	QUANTITY
BOLT-FLANGED,6X12 (Ref # 130)	130C0612	1
BOLT-FLANGED (Ref # 130A)	130D0814	1
BOLT-FLANGED-SMALL,5X10 (Ref # 132)	132E0510	1
BOLT-FLANGED-SMALL (Ref # 132A)	132E0610	1
BOLT-FLANGED-SMALL (Ref # 132B)	132E0840	1
FENDER-FRONT,BLUE/GRAY (Ref # 35004E)	35004-5098-SW	1
STAY,FRONT FENDER (Ref # 35011)	35011-1333	1
FENDER-REAR,FR (Ref # 35023)	35023-1189	1
FENDER-REAR,RR,BLUE/GRAY (Ref # 35023H)	35023-5062-SW	1
CLAMP,HARNESS (Ref # 92037)	92037-1816	1
GROMMET,13MM (Ref # 92071)	92071-099	1
GROMMET (Ref # 92071A)	92071-1148	1
DAMPER (Ref # 92075)	92075-294	1