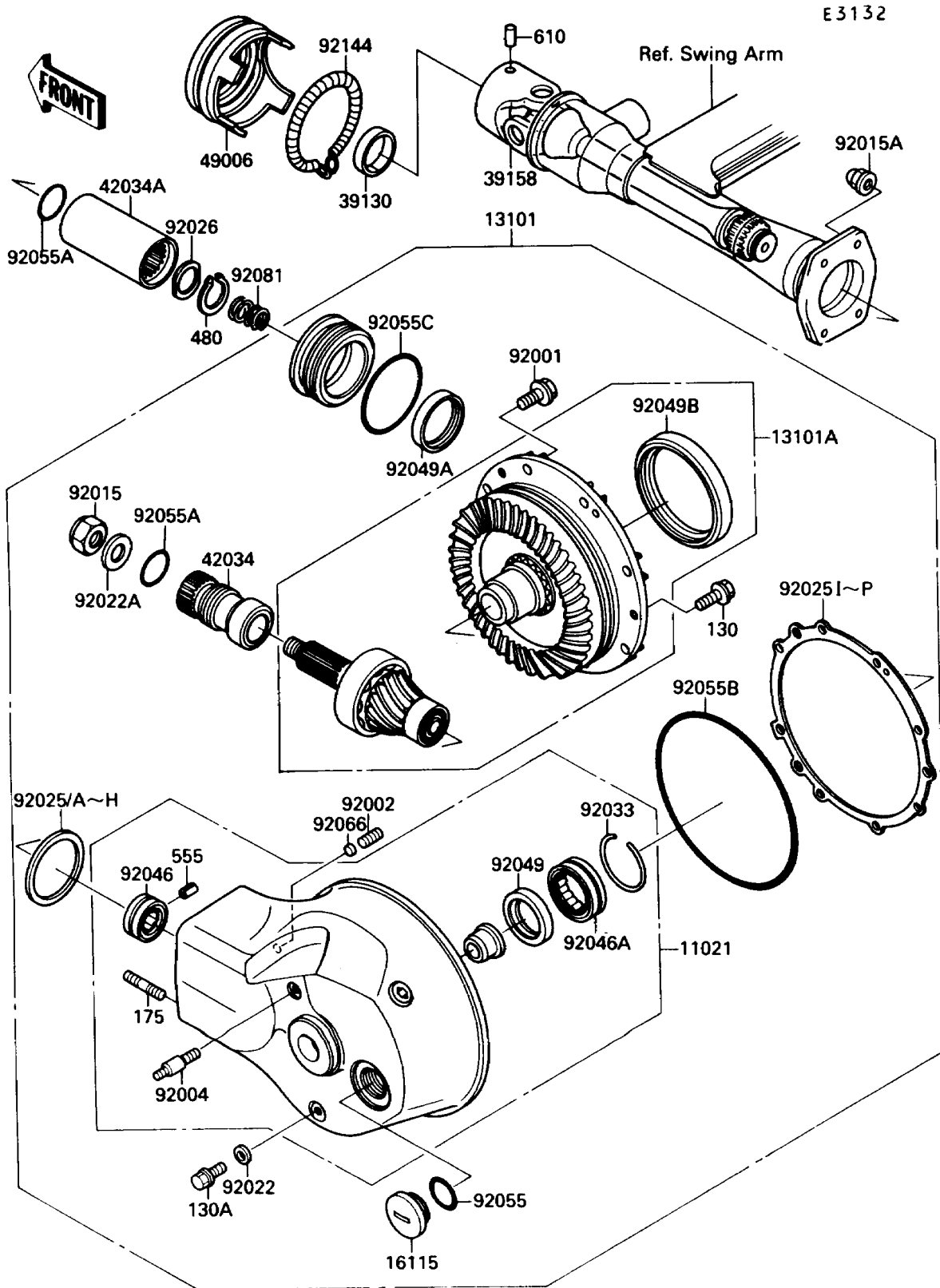


1987 Vulcan® 88 PARTS DIAGRAM

Drive Shaft/Final Gear



1987 Vulcan® 88 PARTS LIST

Drive Shaft/Final Gear

| ITEM NAME | PART NUMBER | QUANTITY |
|---|-------------|----------|
| CASE-ASSY,FINAL GEAR (Ref # 11021) | 11021-1065 | 1 |
| GEAR-ASSY,FINAL (Ref # 13101) | 13101-1164 | 1 |
| GEAR-ASSY,BEVEL,RR (Ref # 13101A) | 13101-5072 | 1 |
| CAP-OIL FILLER (Ref # 16115) | 16115-1056 | 1 |
| SPRING-LEAF (Ref # 39130) | 39130-1002 | 1 |
| SHAFT-ASSY-DRIVE (Ref # 39158) | 39158-1062 | 1 |
| COUPLING (Ref # 42034) | 42034-1085 | 1 |
| COUPLING,PROPELLER SHAFT,OUTER (Ref # 42034A) | 42034-1092 | 1 |
| BOOT,PROPELLER SHAFT (Ref # 49006) | 49006-1226 | 1 |
| BOLT,FLANGED,10X23 (Ref # 92001) | 92001-1778 | 1 |
| SCREW-SET-SOCKET,8X18 (Ref # 92002) | 92002-1836 | 1 |
| STUD,RR SHOCKABSORBER (Ref # 92004) | 92004-1047 | 1 |
| NUT,16MM (Ref # 92015) | 92015-1059 | 1 |
| NUT,10MM (Ref # 92015A) | 92015-1649 | 1 |
| WASHER,8.2X16X1 (Ref # 92022) | 92022-1086 | 1 |
| WASHER,16X32X3.2 (Ref # 92022A) | 92022-1105 | 1 |
| SHIM,T=0.10 (Ref # 92025) | 92025-1733 | 1 |
| SHIM,T=0.15 (Ref # 92025A) | 92025-1734 | 1 |
| SHIM,T=0.50 (Ref # 92025B) | 92025-1735 | 1 |
| SHIM,T=0.60 (Ref # 92025C) | 92025-1736 | 1 |
| SHIM,T=0.70 (Ref # 92025D) | 92025-1737 | 1 |
| SHIM,T=0.80 (Ref # 92025E) | 92025-1738 | 1 |
| SHIM,T=0.90 (Ref # 92025F) | 92025-1739 | 1 |
| SHIM,T=1.00 (Ref # 92025G) | 92025-1740 | 1 |
| SHIM,T=1.20 (Ref # 92025H) | 92025-1741 | 1 |
| SHIM,T=0.15 (Ref # 92025I) | 92025-1783 | 1 |
| SHIM,T=0.50 (Ref # 92025J) | 92025-1784 | 1 |
| SHIM,T=0.60 (Ref # 92025K) | 92025-1785 | 1 |
| SHIM,T=0.70 (Ref # 92025L) | 92025-1786 | 1 |

1987 Vulcan® 88 PARTS LIST

Drive Shaft/Final Gear

| ITEM NAME | PART NUMBER | QUANTITY |
|--|-------------|----------|
| SHIM,T=0.80 (Ref # 92025M) | 92025-1787 | 1 |
| SHIM,T=0.90 (Ref # 92025N) | 92025-1788 | 1 |
| SHIM,T=1.00 (Ref # 92025O) | 92025-1789 | 1 |
| SHIM,T=1.20 (Ref # 92025P) | 92025-1790 | 1 |
| SPACER,PROPELLER SHAFT (Ref # 92026) | 92026-1085 | 1 |
| RING-SNAP,52MM (Ref # 92033) | 92033-1074 | 1 |
| BEARING-NEEDLE,RNA4904RD (Ref # 92046) | 92046-1168 | 1 |
| BEARING-NEEDLE,38NQ5020WD (Ref # 92046A) | 92046-1169 | 1 |
| SEAL-OIL,S-35477HS (Ref # 92049) | 92049-1025 | 1 |
| SEAL-OIL (Ref # 92049A) | 92049-1248 | 1 |
| SEAL-OIL (Ref # 92049B) | 92049-1280 | 1 |
| RING-O,31.5X2.6 (Ref # 92055) | 92055-049 | 1 |
| RING-O,ID=32.7 (Ref # 92055A) | 92055-1037 | 1 |
| RING-O,154MM (Ref # 92055B) | 92055-1165 | 1 |
| RING-O,67.6X3.5 (Ref # 92055C) | 92055-1327 | 1 |
| PLUG,6.2X3 (Ref # 92066) | 92066-1272 | 1 |
| SPRING,PROPELLER SHAFT (Ref # 92081) | 92081-1183 | 1 |
| SPRING,BOOT (Ref # 92144) | 92144-1194 | 1 |
| BOLT-FLANGED,8X25 (Ref # 130) | 130G0825 | 1 |
| BOLT-FLANGED (Ref # 130A) | 130N0812 | 1 |
| BOLT-STUD-FINE (Ref # 175) | 175G1025 | 1 |
| CIRCLIP-TYPE-C,26MM (Ref # 480) | 480J2600 | 1 |
| PIN-SPRING (Ref # 555) | 555A0428 | 1 |
| ROLLER,4X6 (Ref # 610) | 610A0406 | 1 |