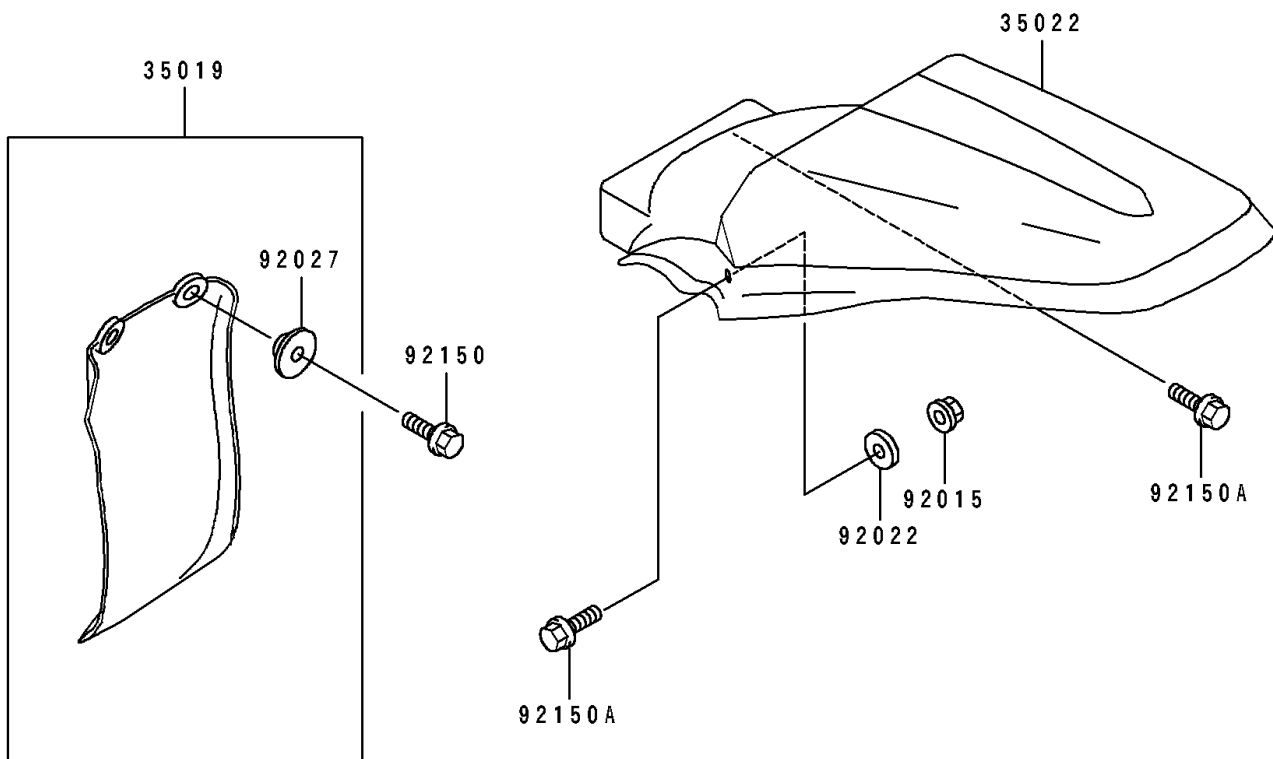
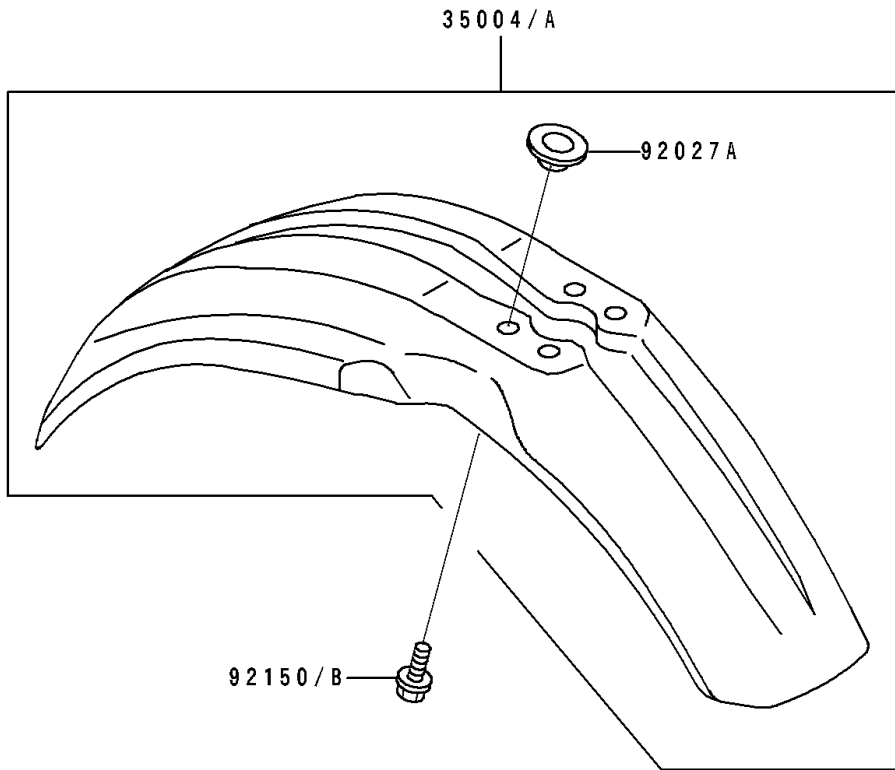


## 1994 KX™80 PARTS DIAGRAM

Fenders

F2170



## 1994 KX™80 PARTS LIST

### Fenders

ITEM NAME	PART NUMBER	QUANTITY
FENDER-FRONT,L.GREEN (Ref # 35004)	35004-1294-6W	1
FLAP,REAR FENDER (Ref # 35019)	35019-1212	1
FENDER-COMP-REAR,L.GREEN (Ref # 35022)	35022-1263-6W	1
NUT,LOCK,FLANGED,6MM (Ref # 92015)	92015-1339	1
WASHER,6.5X20X1.6 (Ref # 92022)	92022-125	1
SPACER,FRONT FENDER (Ref # 92026)	92026-1259	1
COLLAR (Ref # 92027)	92027-1757	1
COLLAR (Ref # 92027A)	92027-1936	1
BOLT,6X20 (Ref # 92150)	92150-1339	1
BOLT,FLANGED,6X22 (Ref # 92150A)	92150-1481	1
BOLT,FLANGED,6X35 (Ref # 92150B)	92150-1527	1