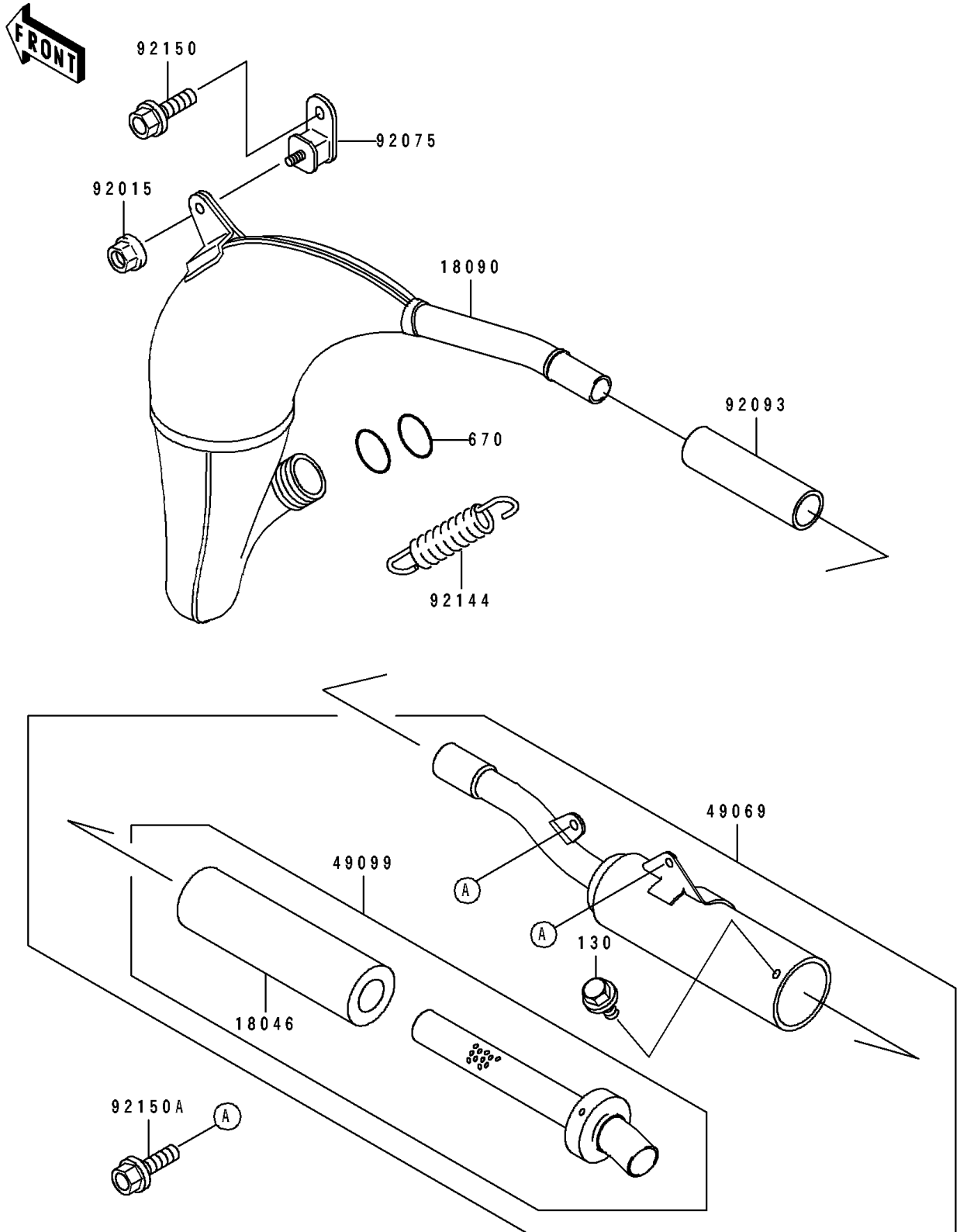


1991 KX™80 PARTS DIAGRAM

Muffler

E1140



1991 KX™80 PARTS LIST

Muffler

ITEM NAME	PART NUMBER	QUANTITY
WOOL,BAFFLE PIPE (Ref # 18046)	18046-1116	1
BODY-COMP-MUFFLER (Ref # 18090)	18090-1065	1
MUFFLER-ASSY (Ref # 49069)	49069-1131	1
BAFFLE-PIPE MUFFLER (Ref # 49099)	49099-1292	1
NUT,FLANGED,6MM (Ref # 92015)	92015-1078	1
DAMPER,MUFFLER (Ref # 92075)	92075-1891	1
SEAL,MUFFLER JOINT (Ref # 92093)	92093-1200	1
SPRING,EXHAUST CONNECTING (Ref # 92144)	92144-1470	1
BOLT,6X14 (Ref # 92150)	92150-1340	1
BOLT,6X12 (Ref # 92150A)	92150-1435	1
BOLT-FLANGED (Ref # 130)	130G0508	1
O RING,36MM (Ref # 670)	670E3036	1