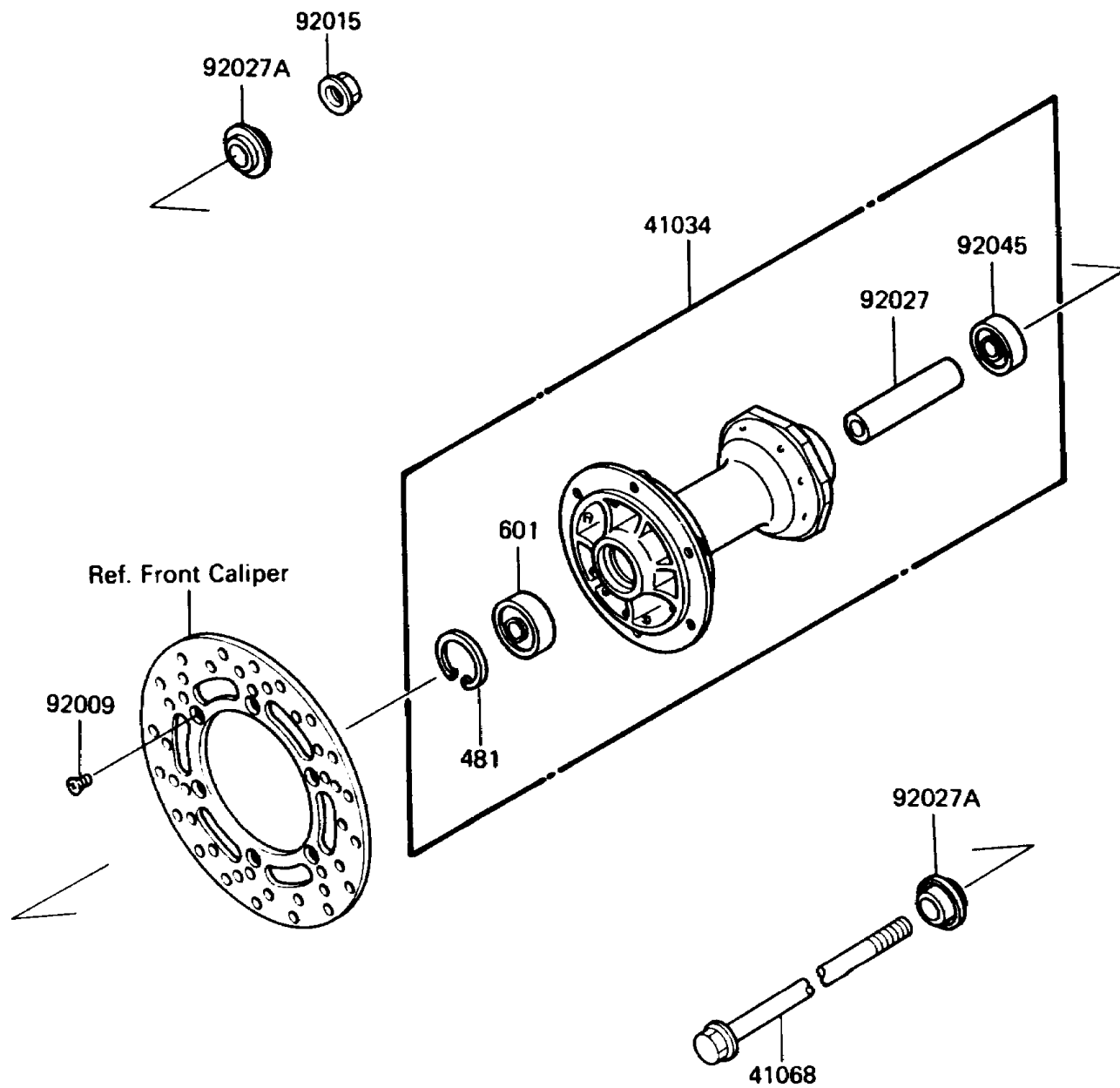


## 1988 KX™80W PARTS DIAGRAM

Front Hub

F2230-0163



## 1988 KX™80W PARTS LIST

Front Hub

| ITEM NAME                                 | PART NUMBER | QUANTITY |
|---|-------------|----------|
| DRUM-ASSY,FRONT BRAKE (Ref # 41034)       | 41034-1166  | 1        |
| AXLE,FR (Ref # 41068)                     | 41068-1200  | 1        |
| SCREW,6X10 (Ref # 92009)                  | 92009-1375  | 1        |
| NUT,FLANGED,12MM (Ref # 92015)            | 92015-1156  | 1        |
| COLLAR,L=81 (Ref # 92027)                 | 92027-1925  | 1        |
| COLLAR,L=6 (Ref # 92027A)                 | 92027-1926  | 1        |
| BEARING-BALL,TMB201LLUC3/2A (Ref # 92045) | 92045-1062  | 1        |
| CIRCLIP-TYPE-C,37MM (Ref # 481)           | 481J3700    | 1        |
| BEARING-BALL,#6201UUC3 (Ref # 601)        | 601B6301UU  | 1        |