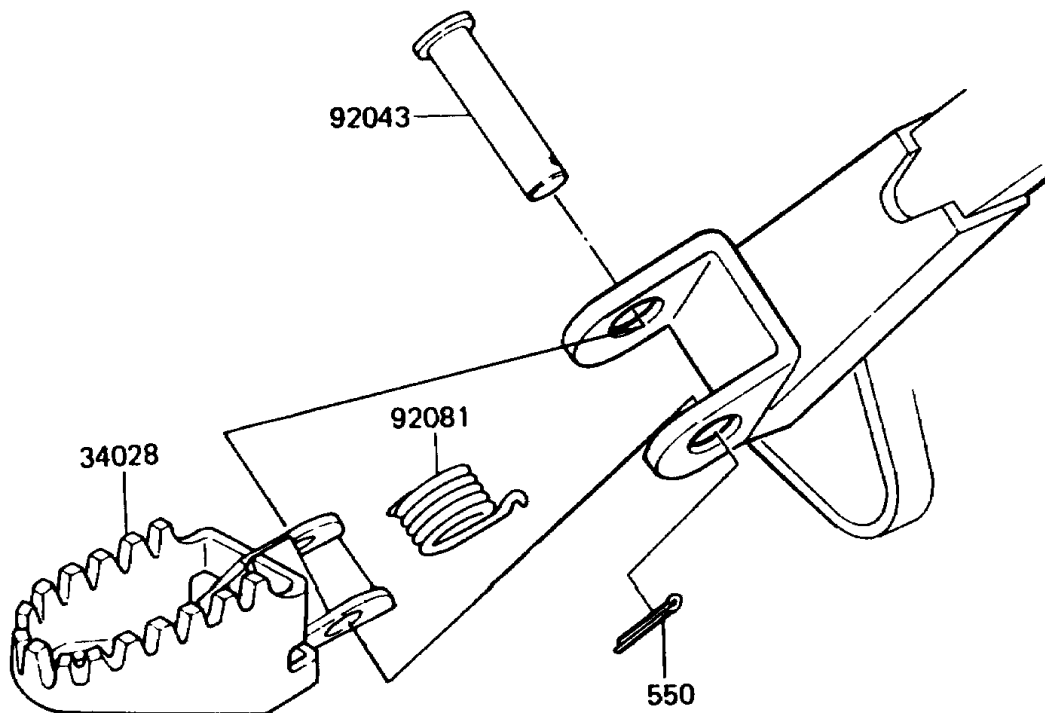
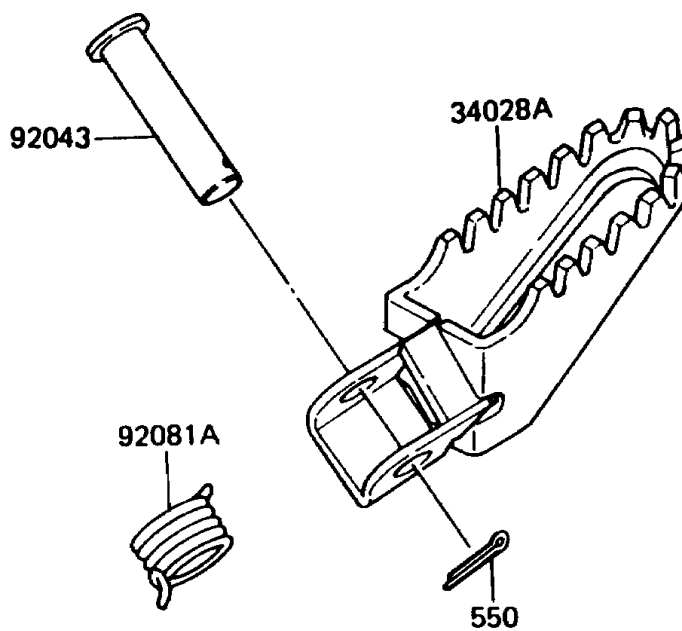


1988 KX™80W PARTS DIAGRAM

Footrests

F2160-0141



1988 KX™80W PARTS LIST

Footrests

ITEM NAME	PART NUMBER	QUANTITY
STEP,LH (Ref # 34028)	34028-1247	1
STEP,RH (Ref # 34028A)	34028-1248	1
PIN,8X32 (Ref # 92043)	92043-1143	1
SPRING,FOOTREST,LH (Ref # 92081)	92081-1491	1
SPRING,FOOTREST,RH (Ref # 92081A)	92081-1543	1
PIN-COTTER,2.5X15 (Ref # 550)	550D2515	1