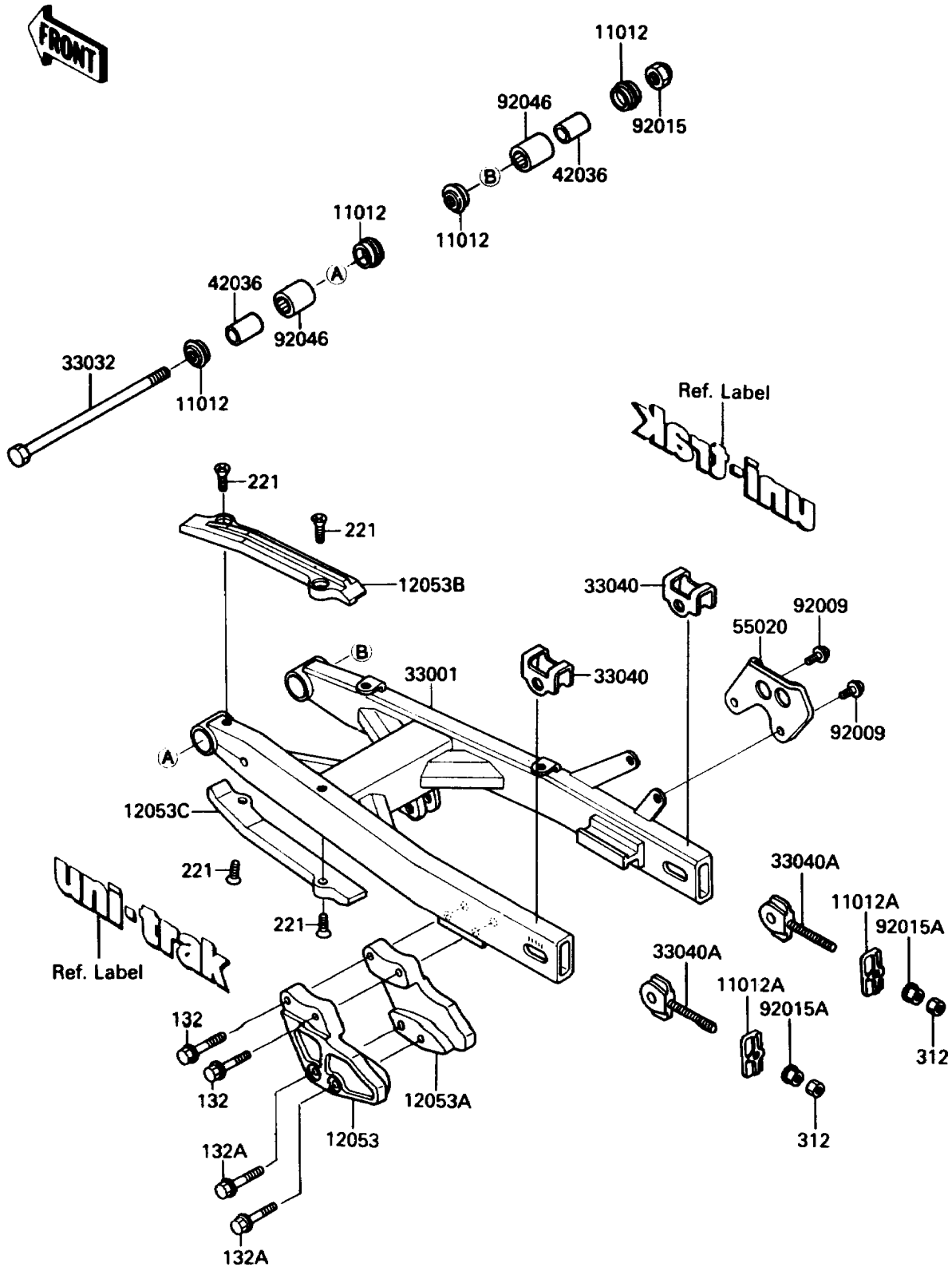


1988 KX™80W PARTS DIAGRAM

Swingarm

F2141-0060



1988 KX™80W PARTS LIST

Swingarm

ITEM NAME	PART NUMBER	QUANTITY
CAP (Ref # 11012)	11012-1263	1
CAP,CHAIN ADJUSTER (Ref # 11012A)	11012-1601	1
GUIDE-CHAIN,RR,LH (Ref # 12053)	12053-1203	1
GUIDE-CHAIN,RR,RH (Ref # 12053A)	12053-1204	1
GUIDE-CHAIN,FR,UPP (Ref # 12053B)	12053-1237	1
GUIDE-CHAIN,FR,LWR (Ref # 12053C)	12053-1238	1
ARM-COMP-SWING (Ref # 33001)	33001-1303	1
SHAFT-SWING ARM (Ref # 33032)	33032-1116	1
ADJUSTER-CHAIN,OUTSIDE (Ref # 33040)	33040-1066	1
ADJUSTER-CHAIN,INSIDE (Ref # 33040A)	33040-1081	1
SLEEVE,SWING ARM,L=34 (Ref # 42036)	42036-1067	1
GUARD,CALIPER (Ref # 55020)	55020-1247	1
SCREW,6X14,WHITE (Ref # 92009)	92009-1287	1
NUT,LOCK,12MM (Ref # 92015)	92015-1063	1
NUT,FLANGED,6MM (Ref # 92015A)	92015-1078	1
BEARING-NEEDLE (Ref # 92046)	92046-1046	1
BOLT-FLANGED-SMALL (Ref # 132)	132G0640	1
BOLT-FLANGED-SMALL (Ref # 132A)	132G0645	1
SCREW-CSK-CROS,6X10 (Ref # 221)	221B0610	1
NUT-HEX,6MM (Ref # 312)	312B0600	1