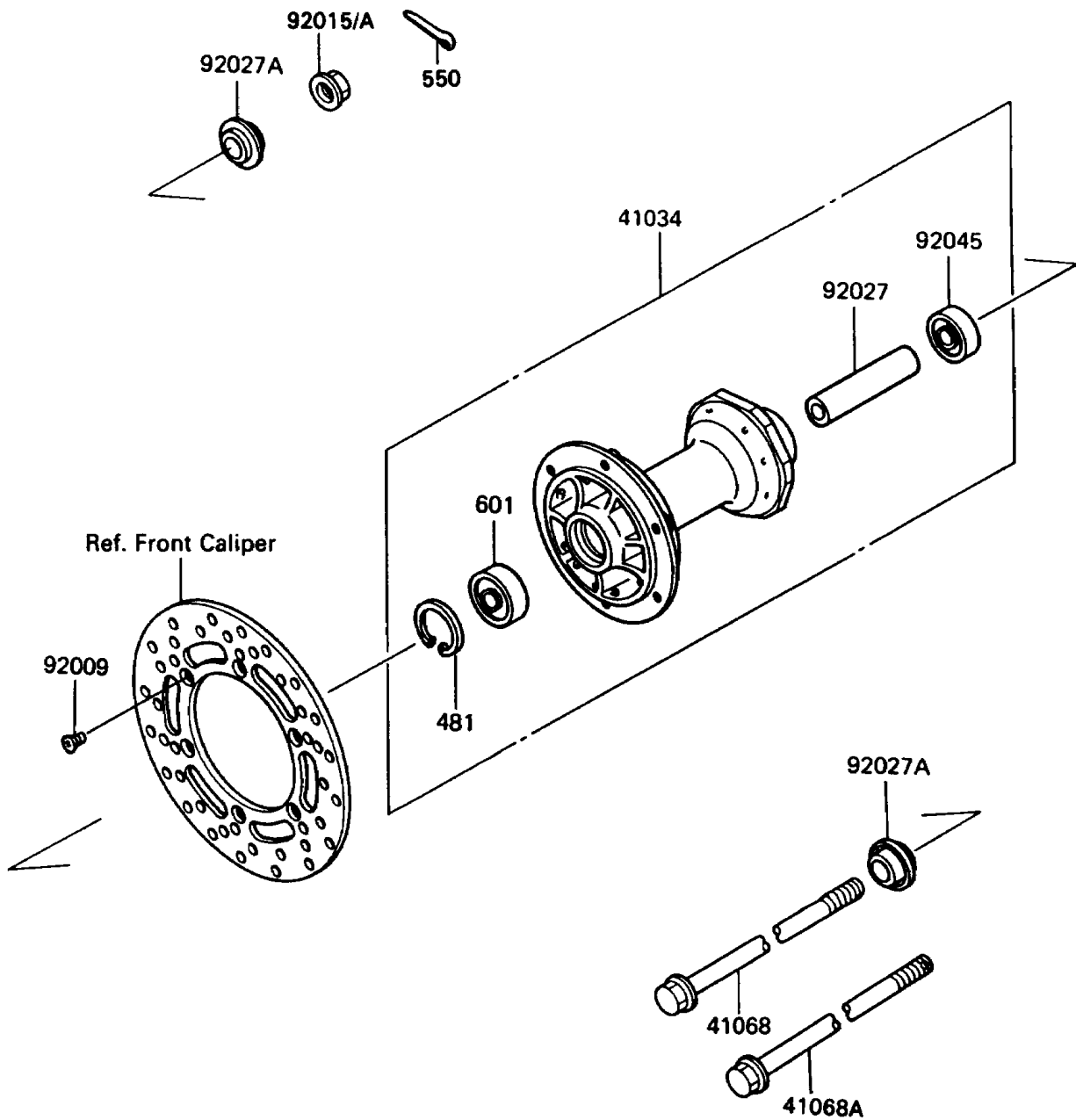


1989 KX™80 PARTS DIAGRAM

Front Hub

F2230-0163



1989 KX™80 PARTS LIST

Front Hub

ITEM NAME	PART NUMBER	QUANTITY
DRUM-ASSY,FRONT BRAKE (Ref # 41034)	41034-1166	1
AXLE,FR (Ref # 41068)	41068-1200	1
SCREW,6X10 (Ref # 92009)	92009-1375	1
NUT,FLANGED,12MM (Ref # 92015)	92015-1156	1
COLLAR,L=81 (Ref # 92027)	92027-1925	1
COLLAR,L=6 (Ref # 92027A)	92027-1926	1
BEARING-BALL,TMB201LLUC3/2A (Ref # 92045)	92045-1062	1
CIRCLIP-TYPE-C,37MM (Ref # 481)	481J3700	1
BEARING-BALL,#6201UUC3 (Ref # 601)	601B6301UU	1