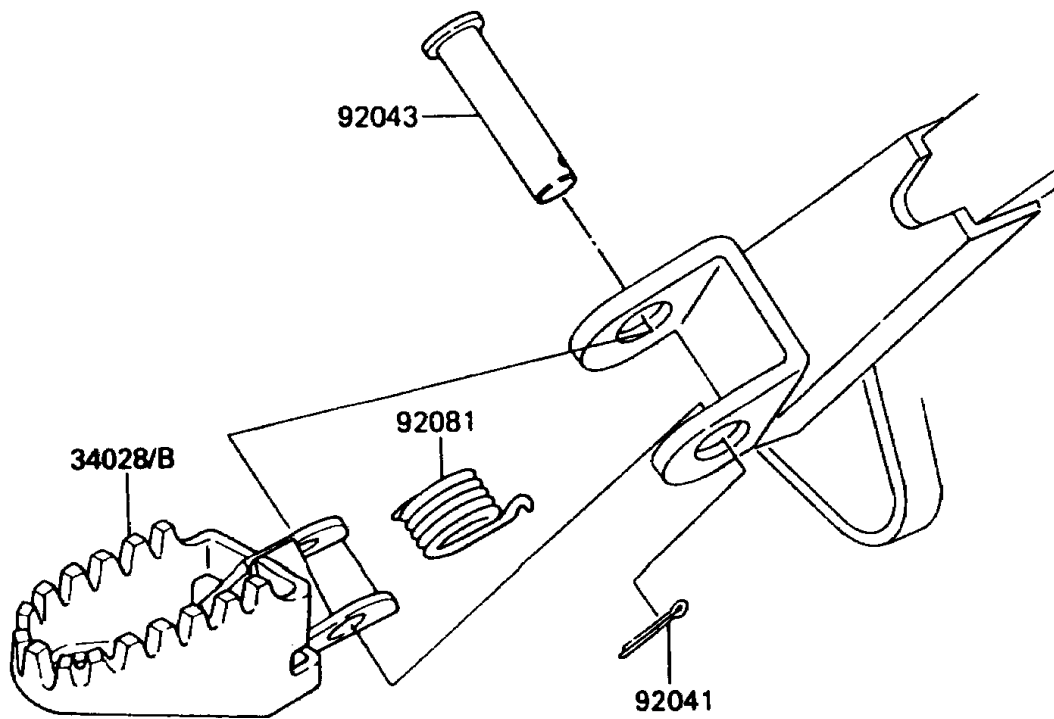
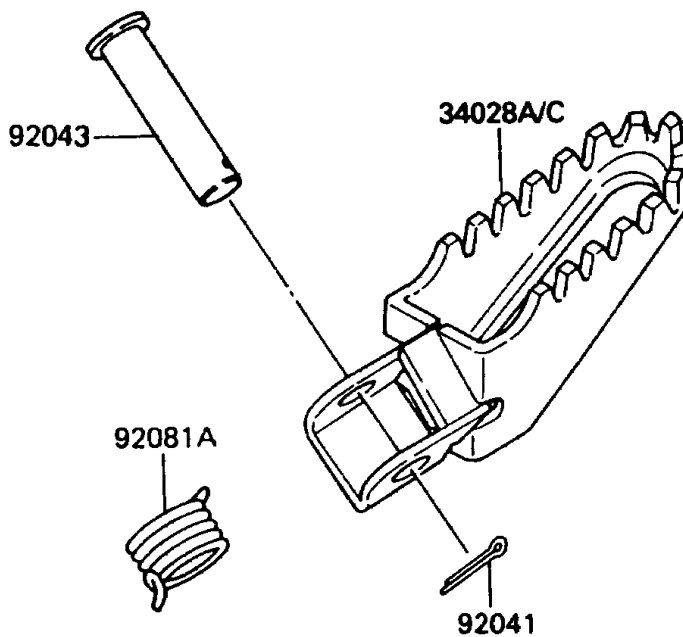


1989 KX™80 PARTS DIAGRAM

Footrests

F2160-0141



1989 KX™80 PARTS LIST

Footrests

| ITEM NAME | PART NUMBER | QUANTITY |
|-----------------------------------|-------------|----------|
| STEP,LH (Ref # 34028) | 34028-1266 | 1 |
| STEP,RH (Ref # 34028A) | 34028-1267 | 1 |
| COTTER,2.5X15 (Ref # 92041) | 92041-1051 | 1 |
| PIN,8X32 (Ref # 92043) | 92043-1143 | 1 |
| SPRING,FOOTREST,LH (Ref # 92081) | 92081-1491 | 1 |
| SPRING,FOOTREST,RH (Ref # 92081A) | 92081-1543 | 1 |