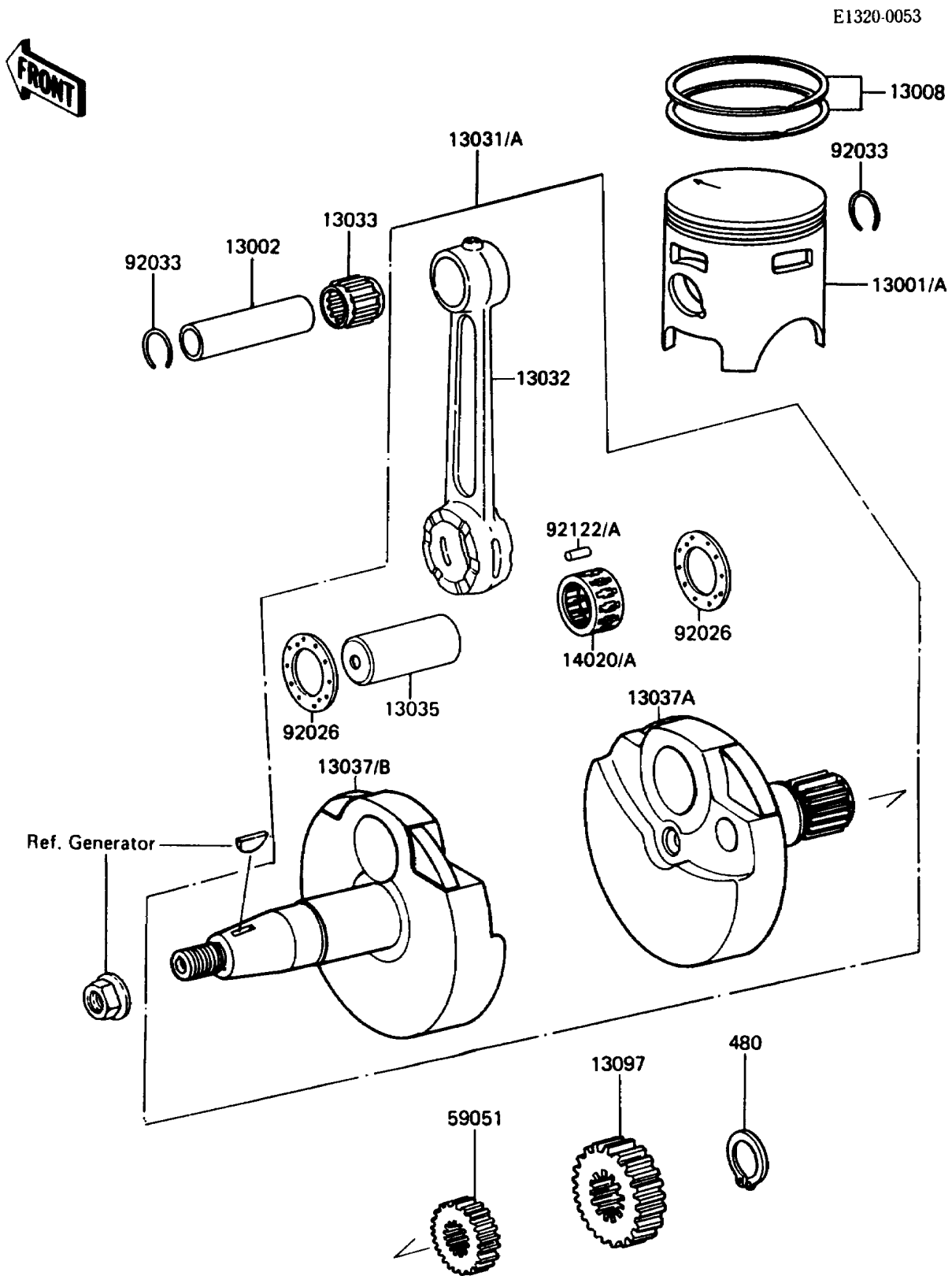


1989 KX™80 PARTS DIAGRAM

Crankshaft/Piston(s)



1989 KX™80 PARTS LIST

Crankshaft/Piston(s)

ITEM NAME	PART NUMBER	QUANTITY
PISTON-ENGINE (Ref # 13001)	13001-1259	1
PIN-PISTON (Ref # 13002)	13002-1079	1
RING-SET-PISTON (Ref # 13008)	13008-1100	1
CRANKSHAFT-COMP (Ref # 13031)	13031-1284	1
ROD-CONNECTING (Ref # 13032)	13032-1039	1
BEARING-SMALL END,14R1818AP-1 (Ref # 13033)	13033-1053	1
PIN-CRANK (Ref # 13035)	13035-1054-01	1
CRANKSHAFT,LH (Ref # 13037)	13037-1356	1
CRANKSHAFT,RH (Ref # 13037A)	13037-1357	1
GEAR-PRIMARY SPUR,20T (Ref # 13097)	13097-1148	1
RETAINER (Ref # 14020)	14020-1075	1
GEAR-SPUR,PUMP,22T (Ref # 59051)	59051-1146	1
SPACER,22.5X37X1.0 (Ref # 92026)	92026-011	1
RING-SNAP (Ref # 92033)	92033-1050	1
ROLLER (Ref # 92122)	92122-1128	1
CIRCLIP-TYPE-C,16MM (Ref # 480)	480J1600	1