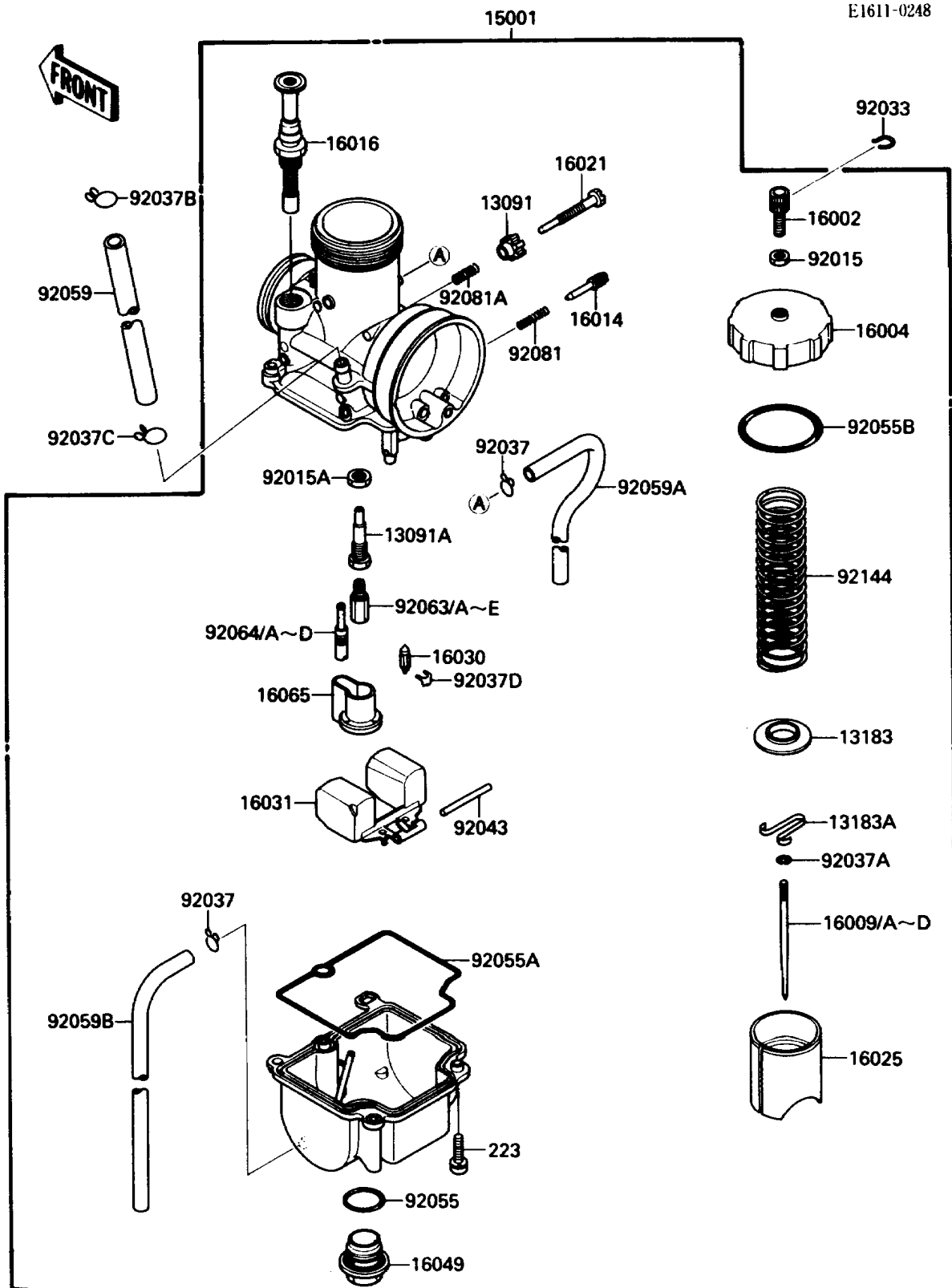


## 1988 KX™80 PARTS DIAGRAM

Carburetor



## 1988 KX™80 PARTS LIST

Carburetor

ITEM NAME	PART NUMBER	QUANTITY
HOLDER,STOP SCREW (Ref # 13091)	13091-1492	1
HOLDER,NEEDLE JET (Ref # 13091A)	13091-1552	1
PLATE (Ref # 13183)	13183-1162	1
PLATE,THROTTLE (Ref # 13183A)	13183-1250	1
CARBURETOR-ASSY (Ref # 15001)	15001-1441	1
ADJUSTER-CABLE (Ref # 16002)	16002-1056	1
CAP-CHAMBER,MIXING (Ref # 16004)	16004-1059	1
NEEDLE-JET,F3045F (Ref # 16009)	16009-1393	1
NEEDLE-JET,F3043H (Ref # 16009A)	16009-1380	1
NEEDLE-JET,F3044H (Ref # 16009B)	16009-1381	1
NEEDLE-JET,F3046H (Ref # 16009C)	16009-1382	1
NEEDLE-JET,F3047H (Ref # 16009D)	16009-1389	1
SCREW-PILOT AIR (Ref # 16014)	16014-1033	1
PLUNGER,STARTER (Ref # 16016)	16016-1028	1
SCREW-THROTTLE STOP (Ref # 16021)	16021-1121	1
VALVE-THROTTLE,CA5.0 (Ref # 16025)	16025-1147	1
VALVE-FLOAT (Ref # 16030)	16030-1064	1
FLOAT (Ref # 16031)	16031-1065	1
COVER-MAIN JET (Ref # 16049)	16049-1051	1
HOLDER-CARBURETOR (Ref # 16065)	16065-1162	1
NUT,CABLE ADJUST LOCK (Ref # 92015)	92015-1574	1
NUT (Ref # 92015A)	92015-1674	1
RING-SNAP (Ref # 92033)	92036-018	1
CLAMP,TUBE (Ref # 92037)	92037-1396	1
CLAMP,JET NEEDLE (Ref # 92037A)	92037-1401	1
CLAMP,TUBE (Ref # 92037B)	92037-147	1
CLAMP (Ref # 92037C)	92037-1712	1
CLAMP,FLOAT (Ref # 92037D)	92037-1991	1
PIN,FLOAT (Ref # 92043)	92043-1207	1

## 1988 KX™80 PARTS LIST

Carburetor

ITEM NAME	PART NUMBER	QUANTITY
RING-O,MAIN JET COVER (Ref # 92055)	92055-1167	1
RING-O,FLOAT CHAMBER (Ref # 92055A)	92055-1389	1
RING-O,CHAMBER TOP (Ref # 92055B)	92055-1390	1
TUBE,5.3X10.5X200 (Ref # 92059)	92059-1665	1
TUBE,4X7X300 (Ref # 92059A)	92059-1844	1
TUBE,4X7X240 (Ref # 92059B)	92059-1845	1
JET-MAIN,#150 (Ref # 92063)	92063-1364	1
JET-MAIN,#152 (Ref # 92063A)	92063-1365	1
JET-MAIN,#155 (Ref # 92063B)	92063-1366	1
JET-MAIN,#158 (Ref # 92063C)	92063-1367	1
JET-MAIN,#160 (Ref # 92063D)	92063-1368	1
JET-MAIN,#175 (Ref # 92063E)	92063-1374	1
JET-PILOT,#55 (Ref # 92064)	92064-1145	1
JET-PILOT,#58 (Ref # 92064A)	92064-1146	1
JET-PILOT,#60 (Ref # 92064B)	92064-1147	1
JET-PILOT,#62 (Ref # 92064C)	92064-1148	1
JET-PILOT,#65 (Ref # 92064D)	92064-1149	1
SPRING,ADJUST SCREW (Ref # 92081)	92081-1555	1
SPRING,THROTTLE STOP SCREW (Ref # 92081A)	92081-1632	1
SPRING,THROTTLE VALVE (Ref # 92144)	92144-1177	1
SCREW-PAN-WS-CROS (Ref # 223)	223C0416	1