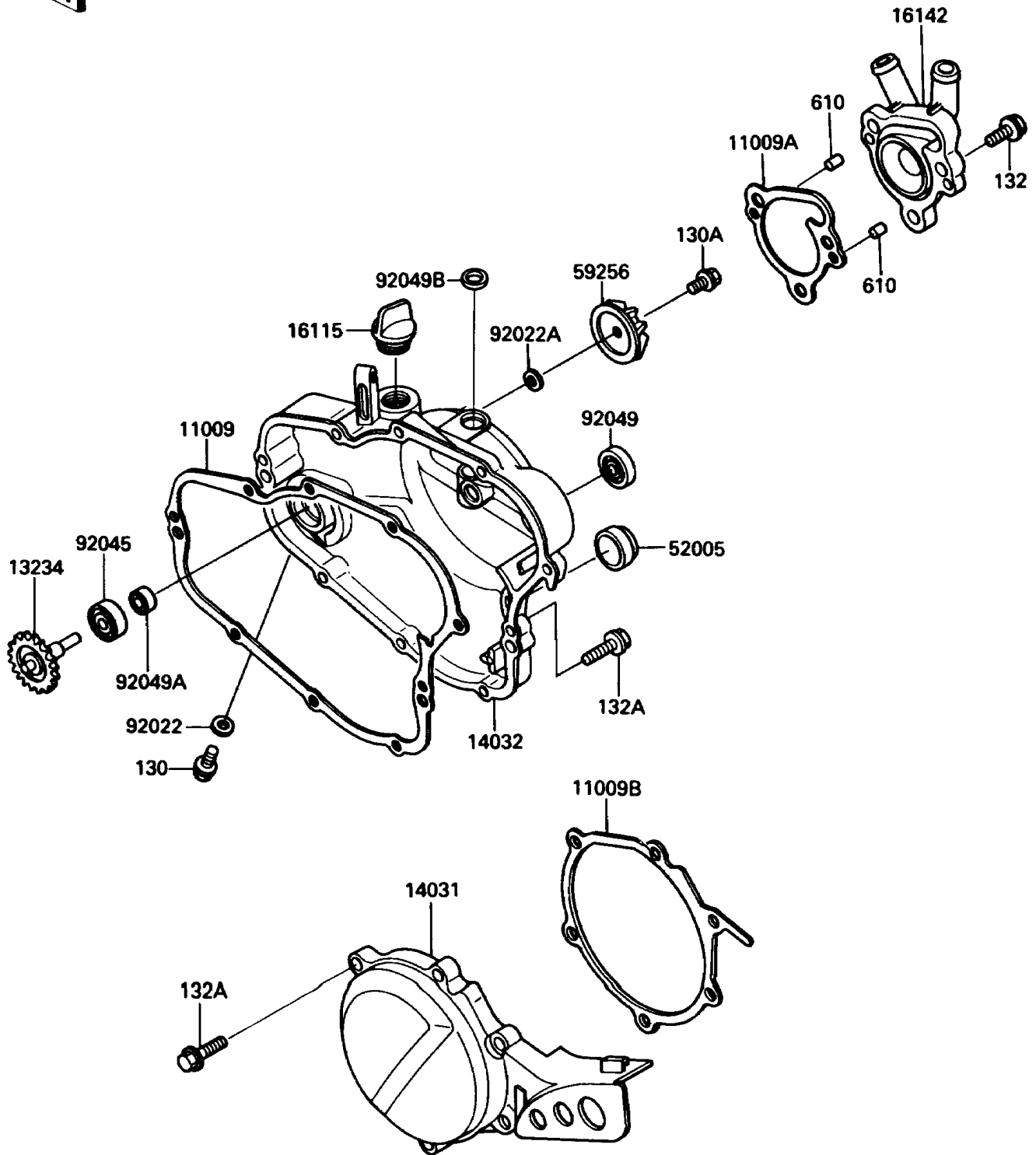


## 1988 KX™80 PARTS DIAGRAM

Engine Cover(s)

E1431-0220



## 1988 KX™80 PARTS LIST

Engine Cover(s)

ITEM NAME	PART NUMBER	QUANTITY
GASKET,CLUTCH COVER (Ref # 11009)	11009-1534	1
GASKET,PUMP COVER (Ref # 11009A)	11009-1535	1
GASKET,GENERATOR COVER (Ref # 11009B)	11009-1536	1
SHAFT-COMP,PUMP (Ref # 13234)	13234-1068	1
COVER-GENERATOR (Ref # 14031)	14031-1215	1
COVER-CLUTCH (Ref # 14032)	14032-1238	1
CAP-OIL FILLER (Ref # 16115)	16115-018	1
COVER-PUMP (Ref # 16142)	16142-1081	1
GAUGE,OIL LEVEL (Ref # 52005)	52005-1055	1
IMPELLER (Ref # 59256)	59256-1064	1
WASHER,6.1X12X1 (Ref # 92022)	92022-077	1
WASHER,5.2X13X1 (Ref # 92022A)	92022-1380	1
BEARING-BALL,#608 (Ref # 92045)	92045-1048	1
SEAL-OIL,SB16244 (Ref # 92049)	92049-002	1
SEAL-OIL,A9567 (Ref # 92049A)	92049-1081	1
SEAL-OIL (Ref # 92049B)	92049-1262	1
BOLT-FLANGED,6X8 (Ref # 130)	130B0608	1
BOLT-FLANGED (Ref # 130A)	130P0510	1
BOLT-FLANGED-SMALL (Ref # 132)	132G0620	1
BOLT-FLANGED-SMALL (Ref # 132A)	132G0625	1
ROLLER,4X8 (Ref # 610)	610A0408	1