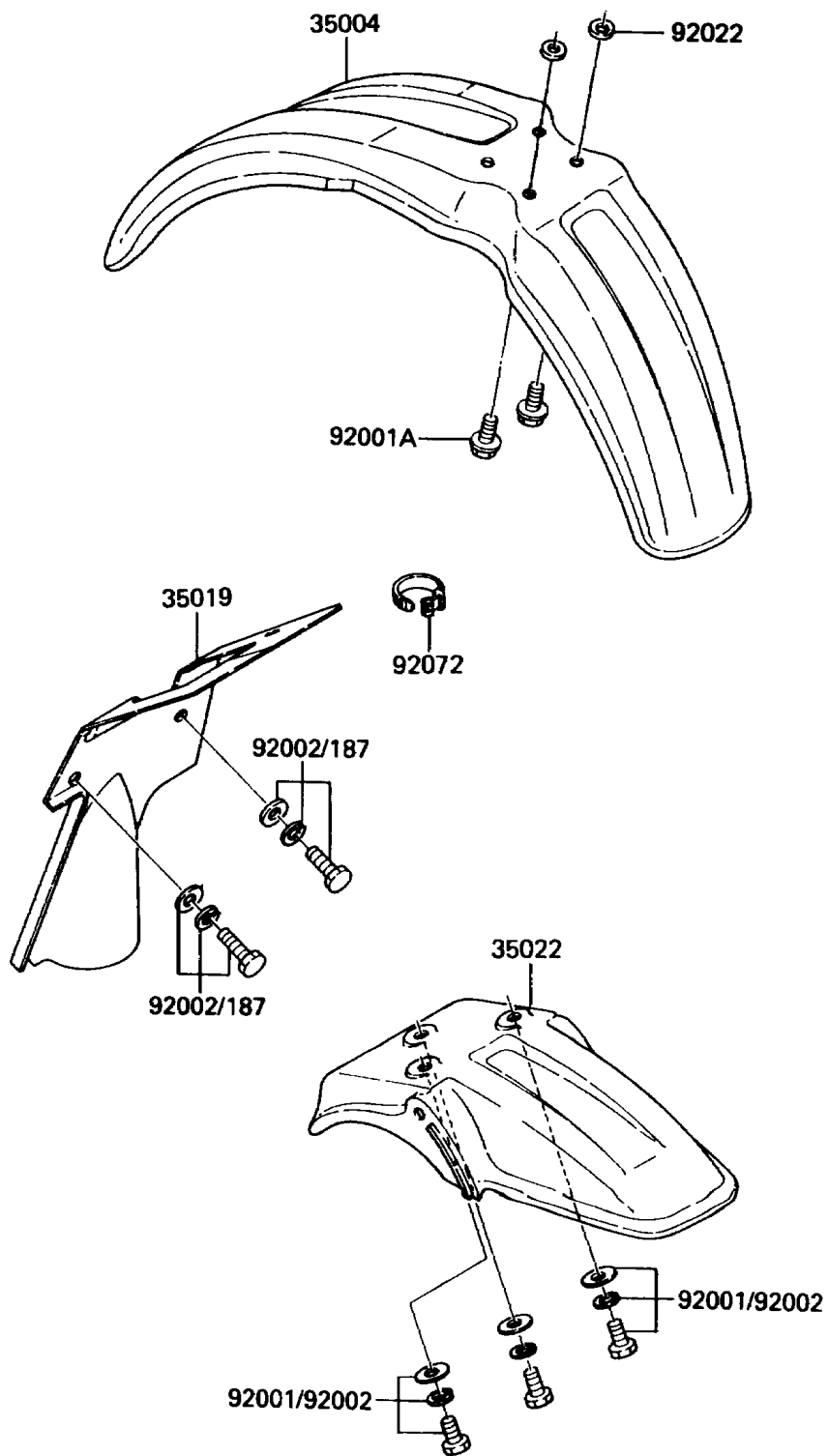


## 1985 KX™60 PARTS DIAGRAM

Fenders

F2170-0274



## 1985 KX™60 PARTS LIST

### Fenders

ITEM NAME	PART NUMBER	QUANTITY
FENDER-FRONT,L.GREEN (Ref # 35004)	35004-1088-6W	1
FLAP,REAR FENDER (Ref # 35019)	35019-1138	1
FENDER-COMP-REAR,L.GREEN (Ref # 35022)	35022-1106-6W	1
BOLT,W/SP,6X18 (Ref # 92001)	92001-1764	1
BOLT,6X14 (Ref # 92001A)	92001-1926	1
WASHER,6.5X20X1.6 (Ref # 92022)	92022-125	1
BAND,L=149 (Ref # 92072)	92072-031	1
BOLT-UPSET-WSP (Ref # 187)	187B0614	1