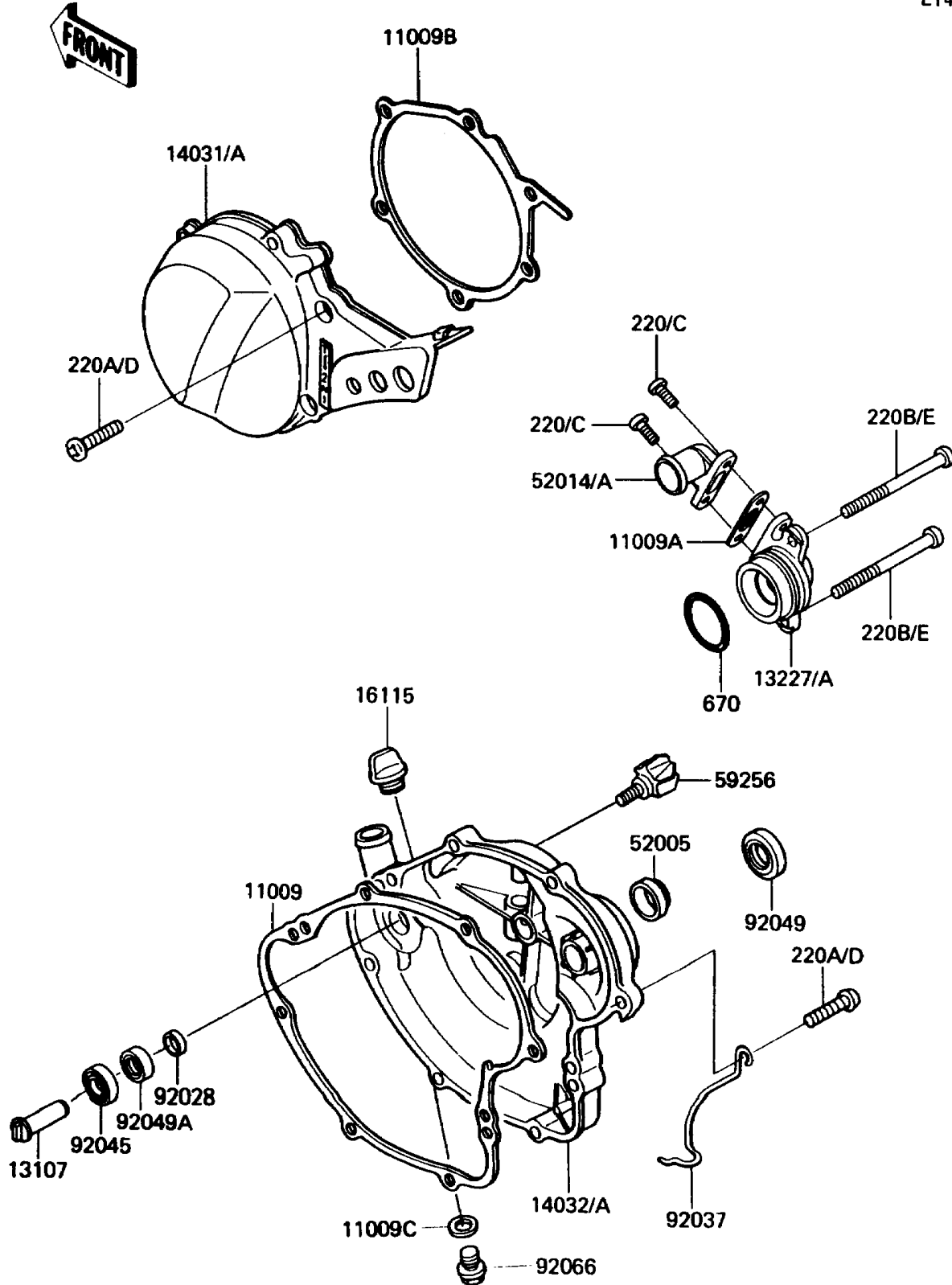


1985 KX™60 PARTS DIAGRAM

Engine Cover(s)

E1431-0160



1985 KX™60 PARTS LIST

Engine Cover(s)

| ITEM NAME | PART NUMBER | QUANTITY |
|--------------------------------------------|-------------|----------|
| GASKET,CLUTCH COVER (Ref # 11009) | 11009-1202 | 1 |
| GASKET,ELBOW (Ref # 11009A) | 11009-1446 | 1 |
| GASKET,GENERATOR COVER (Ref # 11009B) | 11009-1536 | 1 |
| GASKET,10.5X16X1,DRAIN PLUG (Ref # 11009C) | 92065-058 | 1 |
| SHAFT,WATER PUMP (Ref # 13107) | 13107-1123 | 1 |
| HOUSING,WATER PUMP (Ref # 13227) | 13227-1053 | 1 |
| COVER-GENERATOR (Ref # 14031) | 14031-1185 | 1 |
| COVER-CLUTCH (Ref # 14032) | 14032-1196 | 1 |
| CAP-OIL FILLER (Ref # 16115) | 16115-018 | 1 |
| GAUGE,OIL LEVEL (Ref # 52005) | 52005-1055 | 1 |
| ELBOW (Ref # 52014) | 52014-1062 | 1 |
| IMPELLER,WATER PUMP (Ref # 59256) | 59256-1052 | 1 |
| BUSHING (Ref # 92028) | 92028-1317 | 1 |
| CLAMP,TUBE (Ref # 92037) | 92037-1236 | 1 |
| BEARING-BALL,#608 (Ref # 92045) | 92045-1048 | 1 |
| SEAL-OIL,SB16244 (Ref # 92049) | 92049-002 | 1 |
| SEAL-OIL,A9567 (Ref # 92049A) | 92049-1081 | 1 |
| PLUG,DRAIN,10X14 (Ref # 92066) | 92066-1033 | 1 |
| SCREW-PAN-CROS (Ref # 220C) | 220C0520 | 1 |
| SCREW-PAN-CROS,6X25,BLACK (Ref # 220D) | 220C0625 | 1 |
| SCREW-PAN-CROS (Ref # 220E) | 220C0675 | 1 |
| O RING,39MM (Ref # 670) | 670B3039 | 1 |