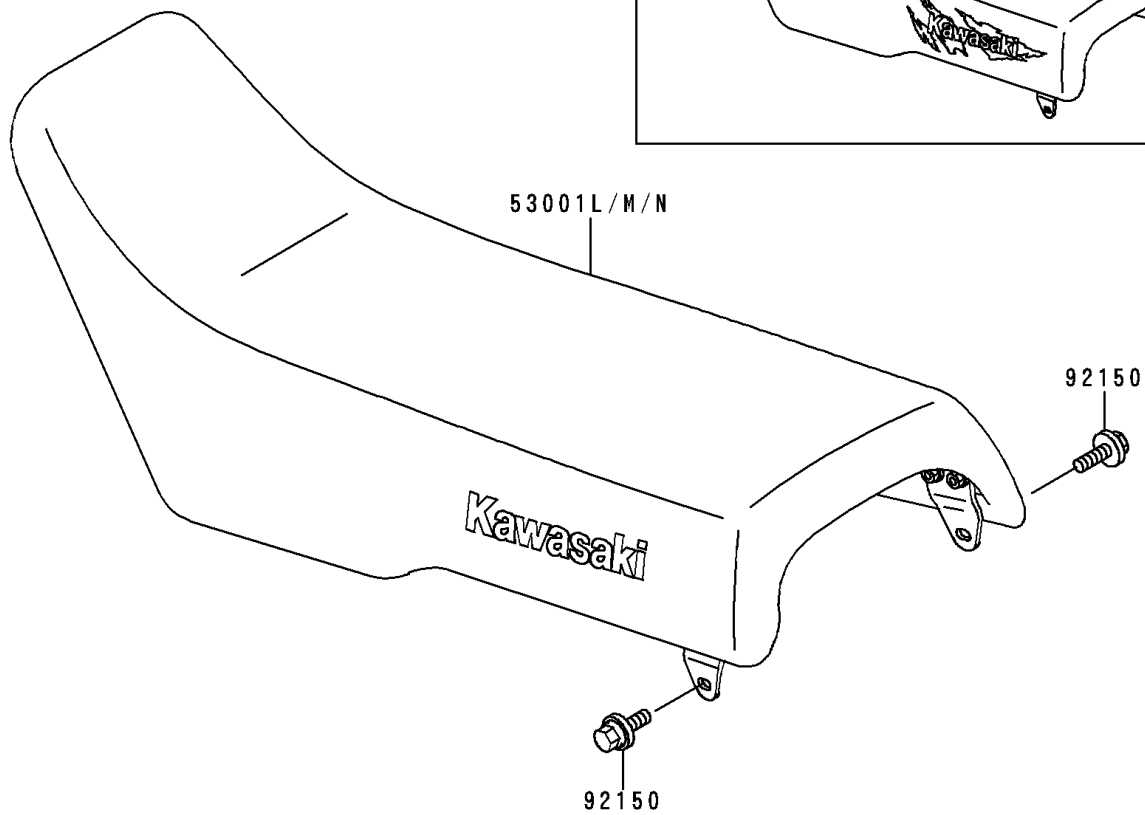
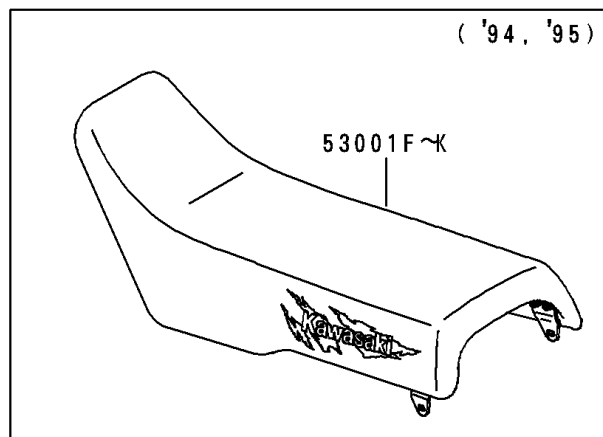
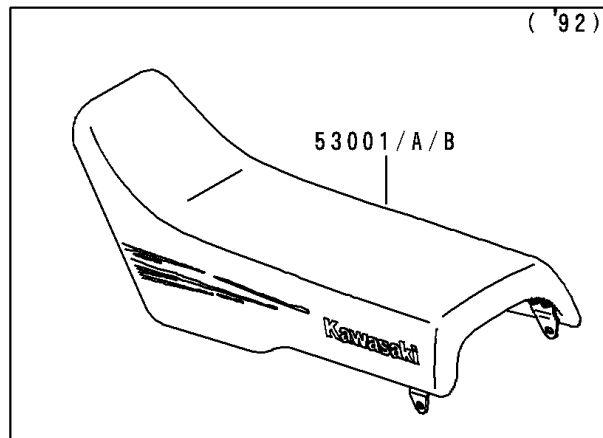
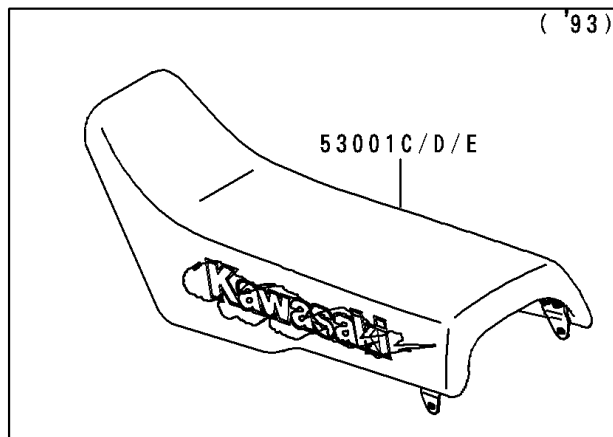


## 1992 KX™500 PARTS DIAGRAM

Seat

F2510



## 1992 KX™500 PARTS LIST

Seat

ITEM NAME	PART NUMBER	QUANTITY
SEAT-ASSY,MIDDLE HEIGHT,BLUE (Ref # 53001)	53001-1664-MY	1
SEAT-ASSY,LOW HEIGHT,BLUE (Ref # 53001A)	53001-1665-MY	1
SEAT-ASSY,HIGH HEIGHT,BLUE (Ref # 53001B)	53001-1666-MY	1
BOLT,6X20 (Ref # 92150)	92150-1339	1