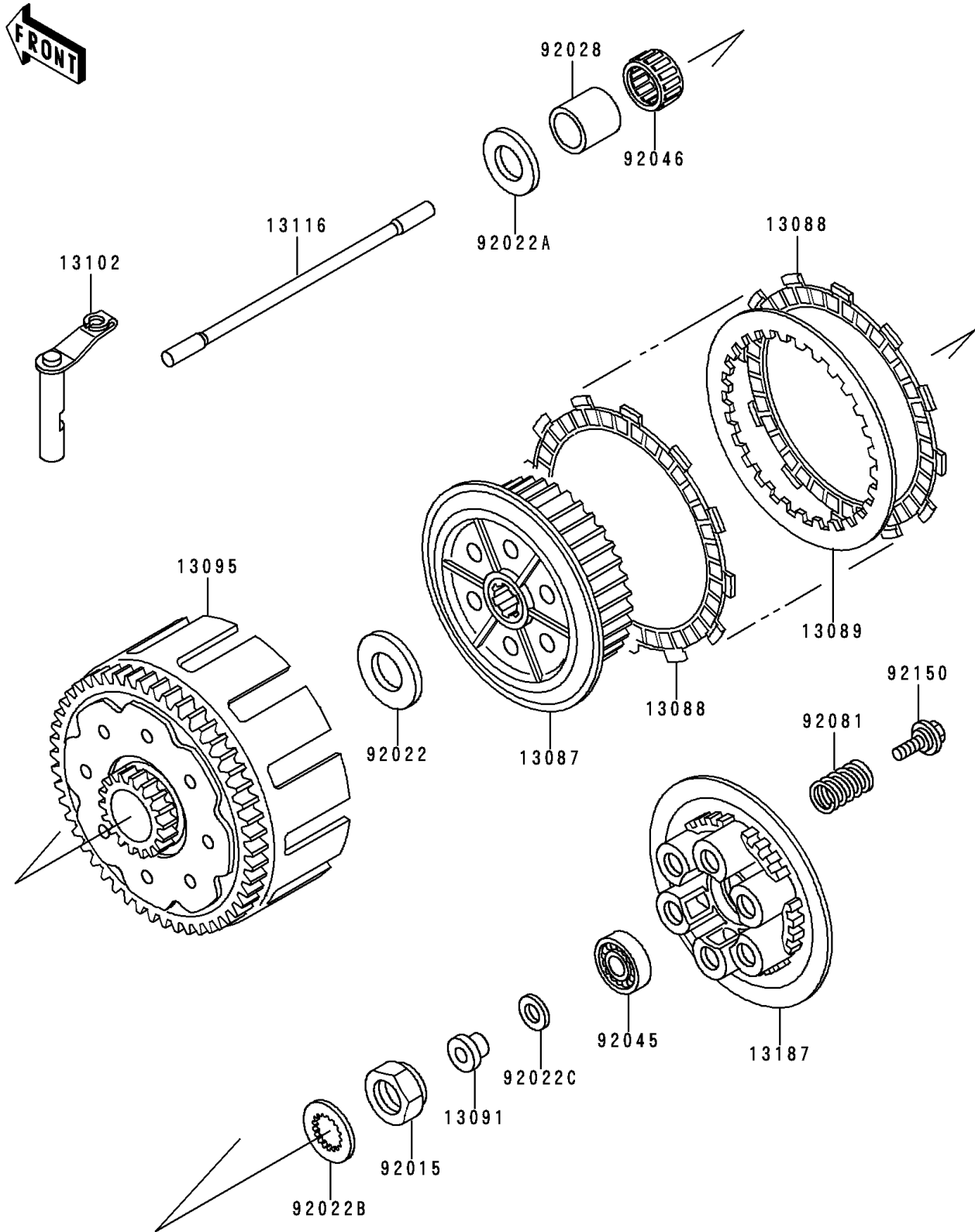


1992 KX™500 PARTS DIAGRAM

Clutch

E1350



1992 KX™500 PARTS LIST

Clutch

| ITEM NAME | PART NUMBER | QUANTITY |
|---------------------------------------|-------------|----------|
| HUB-CLUTCH (Ref # 13087) | 13087-1138 | 1 |
| PLATE-FRICTION (Ref # 13088) | 13088-1114 | 1 |
| PLATE-CLUTCH (Ref # 13089) | 13089-1079 | 1 |
| HOLDER,ROD (Ref # 13091) | 13091-1582 | 1 |
| HOUSING-COMP-CLUTCH (Ref # 13095) | 13095-1196 | 1 |
| RELEASE-COMP-CLUTCH (Ref # 13102) | 13102-1107 | 1 |
| ROD-PUSH,L=205 (Ref # 13116) | 13116-1124 | 1 |
| PLATE-CLUTCH OPERATING (Ref # 13187) | 13187-1060 | 1 |
| NUT,20MM (Ref # 92015) | 92015-1725 | 1 |
| WASHER,22.5X46X2.6 (Ref # 92022) | 92022-1739 | 1 |
| WASHER,22.3X38X3.0 (Ref # 92022A) | 92022-1832 | 1 |
| WASHER (Ref # 92022B) | 92022-1942 | 1 |
| WASHER,12.3X20X0.5 (Ref # 92022C) | 92022-269 | 1 |
| BUSHING (Ref # 92028) | 92028-1551 | 1 |
| BEARING-BALL,6001C3ML01 (Ref # 92045) | 92045-1235 | 1 |
| BEARING-NEEDLE (Ref # 92046) | 92046-1193 | 1 |
| SPRING,CLUTCH (Ref # 92081) | 92081-1033 | 1 |
| BOLT,6X22 (Ref # 92150) | 92150-1489 | 1 |