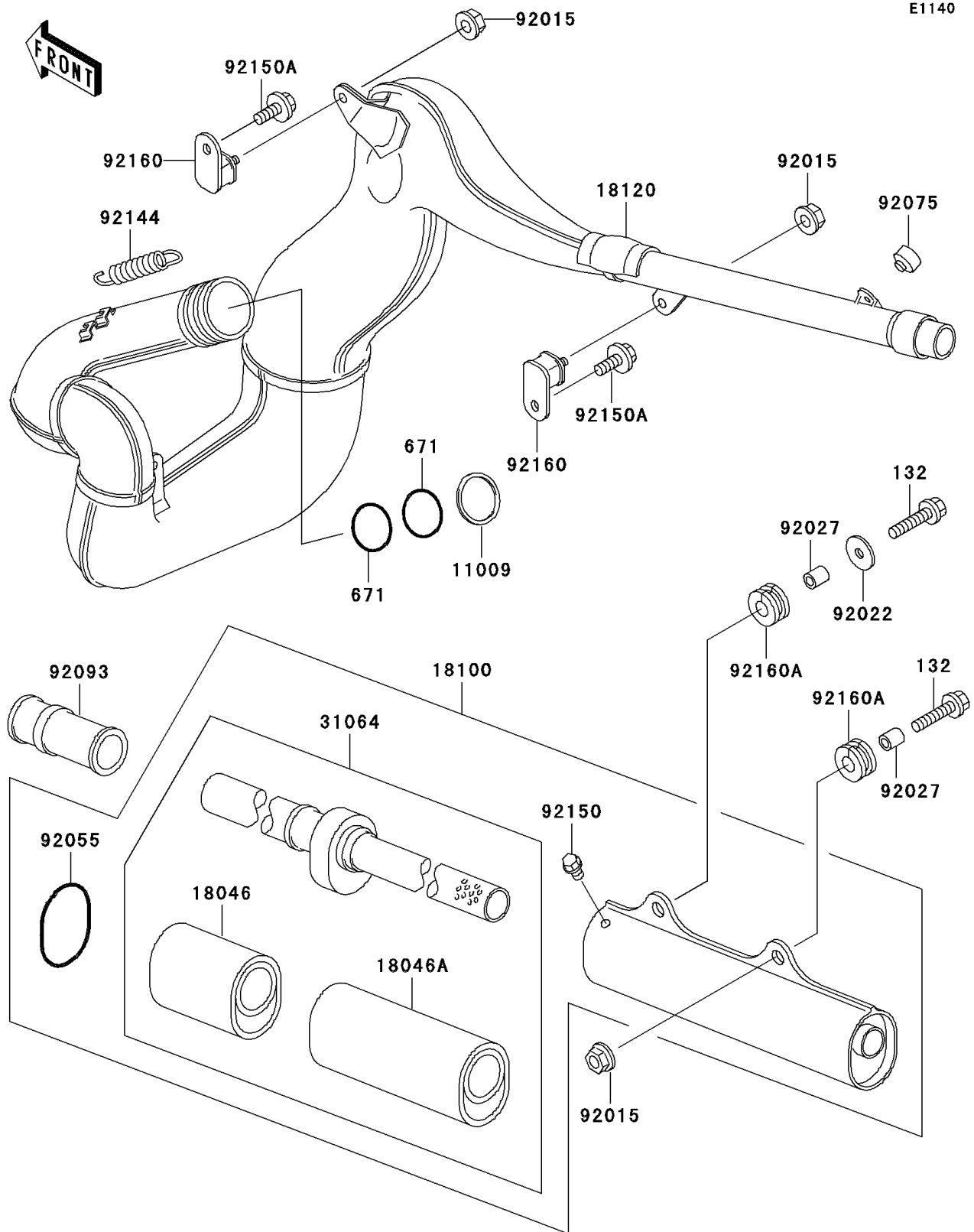


## 2003 KX™500 PARTS DIAGRAM

Muffler(s)



E1140

## 2003 KX™500 PARTS LIST

Muffler(s)

ITEM NAME	PART NUMBER	QUANTITY
BOLT-FLANGED-SMALL (Ref # 132)	132G0630	1
O RING,50MM (Ref # 671)	671E2550	1
GASKET,EXHAUST PIPE (Ref # 11009)	11009-1949	1
WOOL,L=158 (Ref # 18046)	18046-1113	1
WOOL,L=200 (Ref # 18046A)	18046-1114	1
BODY-ASSY-MUFFLER (Ref # 18100)	18100-1064	1
CHAMBER-EXHAUST (Ref # 18120)	18120-1094	1
PIPE-COMP,MUFFLER (Ref # 31064)	31064-1170	1
NUT,FLANGED,6MM (Ref # 92015)	92015-1078	1
WASHER,6.5X22X1.6 (Ref # 92022)	92022-237	1
COLLAR,6.8X10X11.5 (Ref # 92027)	92027-1210	1
RING-O,BAFFLE PIPE (Ref # 92055)	92055-1445	1
DAMPER (Ref # 92075)	92075-1598	1
SEAL (Ref # 92093)	92093-1279	1
SPRING (Ref # 92144)	92144-1035	1
BOLT,5X8 (Ref # 92150)	92150-1406	1
BOLT,6X12 (Ref # 92150A)	92150-1435	1
DAMPER,MUFFLER,FR (Ref # 92160)	92160-1176	1
DAMPER,MUFFLER FITTING (Ref # 92160A)	92160-1913	1