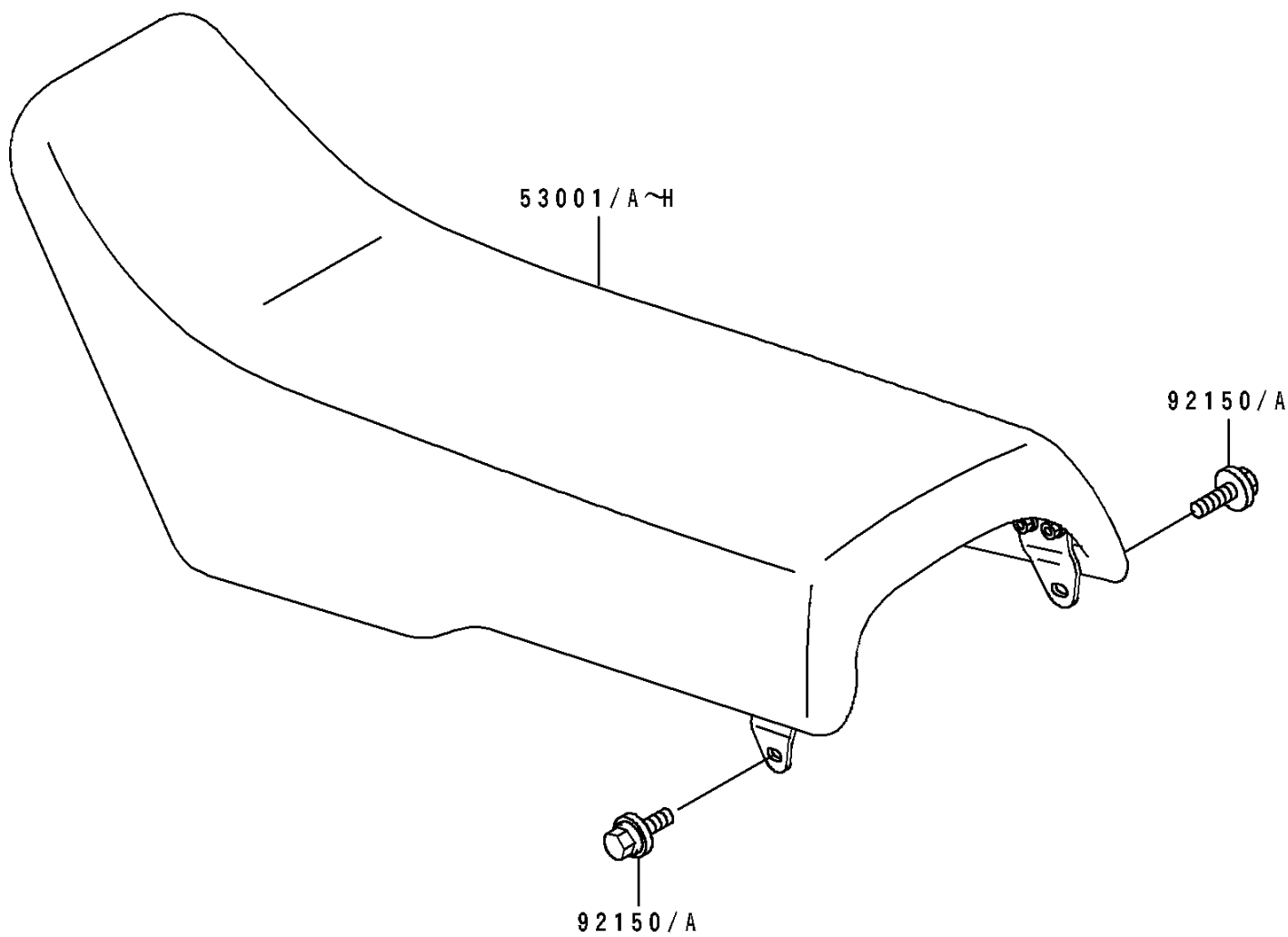


1989 KX™500 PARTS DIAGRAM

Seat

F 2 5 1 0



1989 KX™500 PARTS LIST

Seat

ITEM NAME	PART NUMBER	QUANTITY
SEAT-ASSY,LOW HEIGHT,BLUE (Ref # 53001)	53001-1576-MD	1
SEAT-ASSY,MIDDLE HEIGHT,BLUE (Ref # 53001A)	53001-1577-MD	1
SEAT-ASSY,HIGH HEIGHT,BLUE (Ref # 53001B)	53001-1578-MD	1
BOLT,FLANGED,6X20 (Ref # 92150)	92150-1131	1