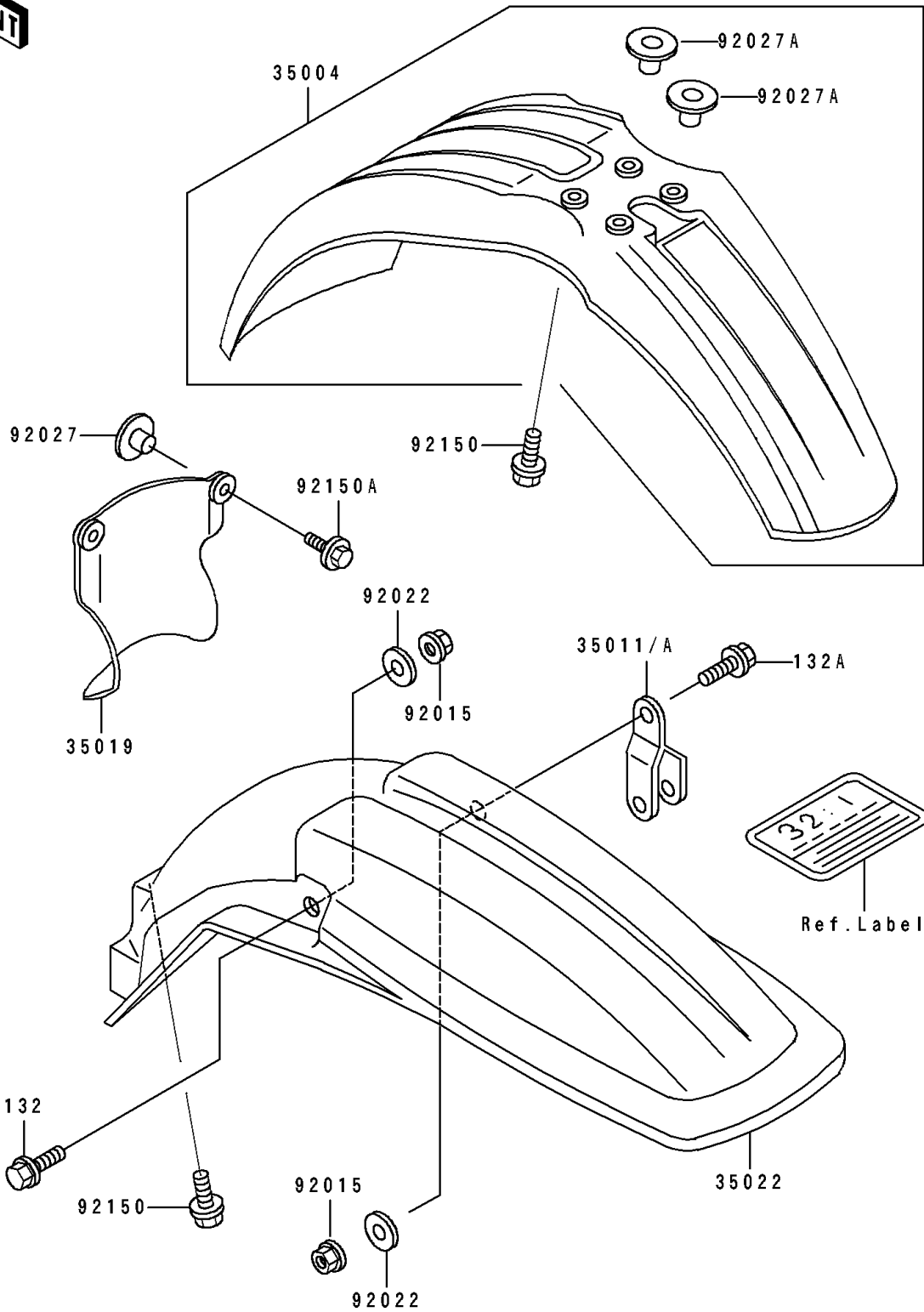


## 1989 KX™500 PARTS DIAGRAM

Fender

F 2170



## 1989 KX™500 PARTS LIST

Fender

ITEM NAME	PART NUMBER	QUANTITY
FENDER-FRONT,L.GREEN (Ref # 35004)	35004-1233-6W	1
STAY,MUFFLER (Ref # 35011)	35011-1385	1
FLAP,AIR FILTER (Ref # 35019)	35019-1159	1
FENDER-COMP-REAR,L.GREEN (Ref # 35022)	35022-1241-6W	1
NUT,FLANGED,6MM (Ref # 92015)	92015-1078	1
WASHER,6.5X20X1.6 (Ref # 92022)	92022-125	1
COLLAR (Ref # 92027)	92027-1794	1
COLLAR (Ref # 92027A)	92027-1936	1
BOLT,6X20 (Ref # 92150)	92002-1339	1
BOLT,FLANGED,6X16 (Ref # 92150A)	92150-1506	1
BOLT-FLANGED-SMALL (Ref # 132)	132G0640	1
BOLT-FLANGED-SMALL (Ref # 132A)	132G0645	1