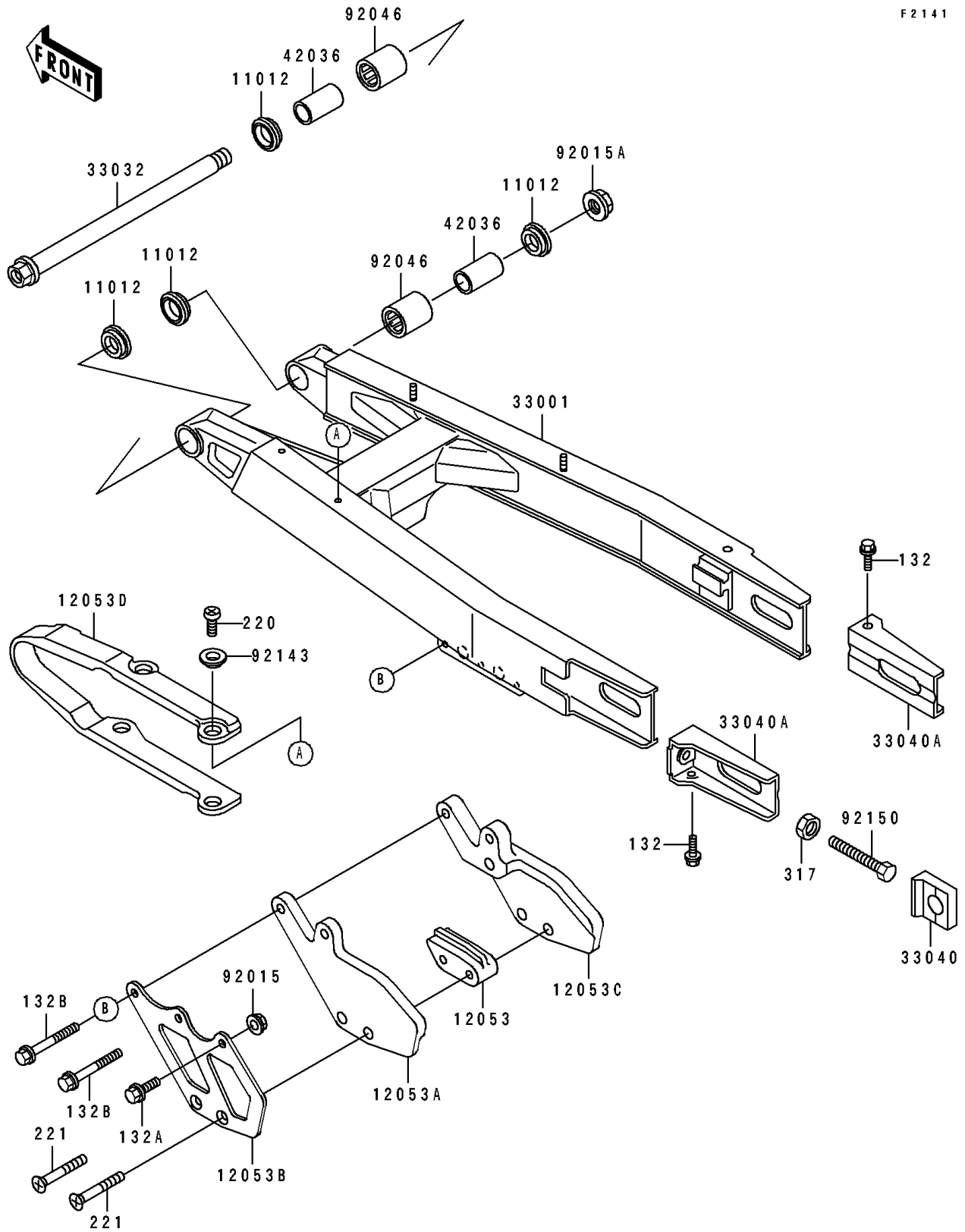


1989 KX™500 PARTS DIAGRAM

Swing Arm(KX500-E1)

F2141



1989 KX™500 PARTS LIST

Swing Arm(KX500-E1)

ITEM NAME	PART NUMBER	QUANTITY
CAP,SWING ARM (Ref # 11012)	11012-1259	1
GUIDE-CHAIN,RR,INSIDE (Ref # 12053)	12053-1105	1
GUIDE-CHAIN,RR,INSIDE (Ref # 12053A)	12053-1234	1
GUIDE-CHAIN,RR,OUTSIDE (Ref # 12053B)	12053-1235	1
GUIDE-CHAIN,RR,OUTSIDE (Ref # 12053C)	12053-1236	1
GUIDE-CHAIN,FR (Ref # 12053D)	12053-1240	1
ARM-COMP-SWING,SILVER NO.25 (Ref # 33001)	33001-1324-CE	1
SHAFT-SWING ARM (Ref # 33032)	33032-1137	1
ADJUSTER-CHAIN (Ref # 33040)	33040-1085	1
ADJUSTER-CHAIN (Ref # 33040A)	33040-1099	1
SLEEVE,SWING ARM (Ref # 42036)	42036-1064	1
NUT,FLANGED,6MM (Ref # 92015)	92015-1078	1
NUT,14MM (Ref # 92015A)	92015-1407	1
BEARING-NEEDLE,TA2030Z (Ref # 92046)	92046-1128	1
COLLAR (Ref # 92143)	92143-1156	1
BOLT,8X55 (Ref # 92150)	92150-1068	1
BOLT-FLANGED-SMALL (Ref # 132)	132G0612	1
BOLT-FLANGED-SMALL (Ref # 132A)	132G0616	1
BOLT-FLANGED-SMALL (Ref # 132B)	132G0635	1
SCREW-PAN-CROS,6X8 (Ref # 220)	220B0608	1
SCREW-CSK-CROS,6X45 (Ref # 221)	221B0645	1
NUT-HEX-SMALL,8MM (Ref # 317)	317G0800	1