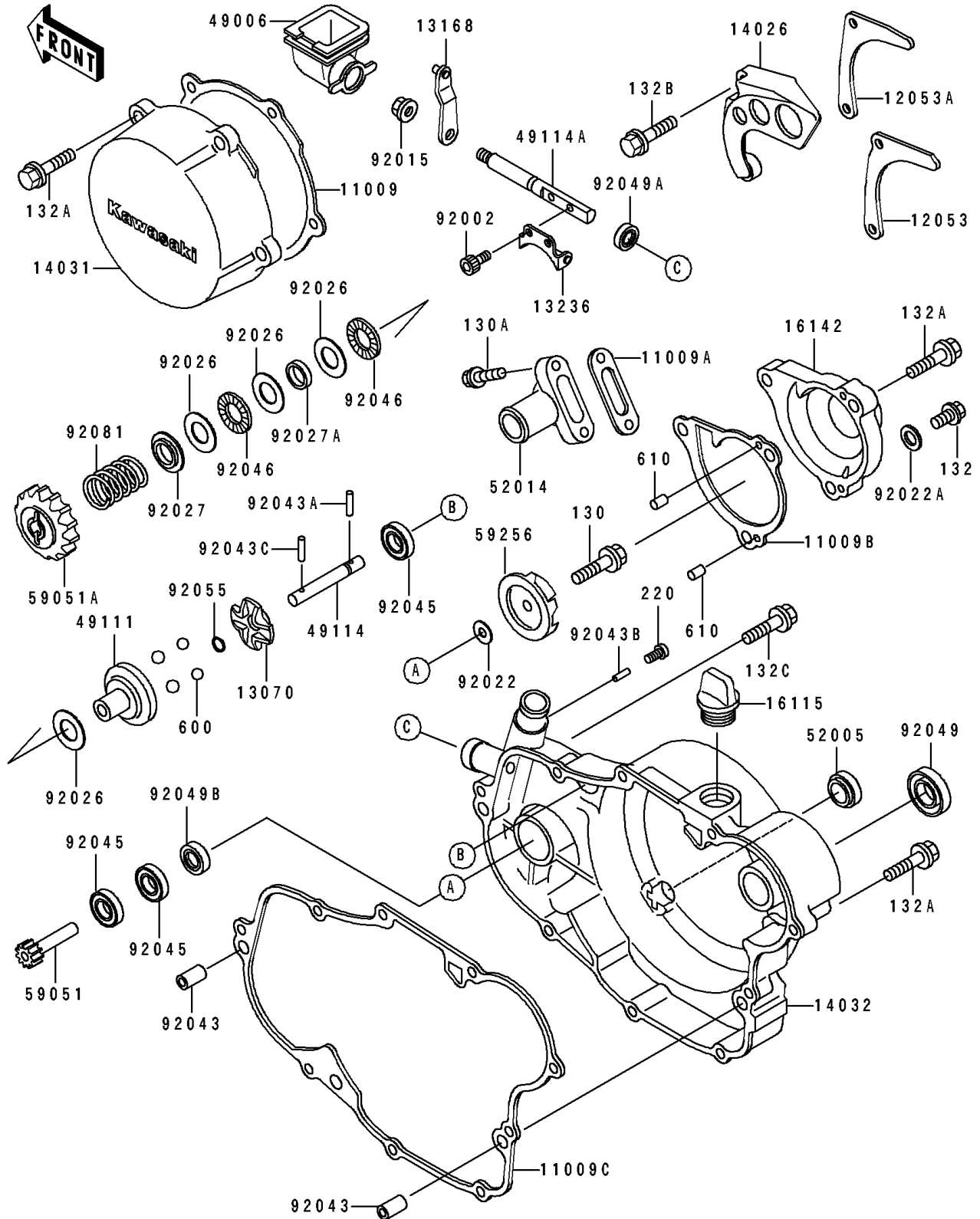


1989 KX™500 PARTS DIAGRAM

Engine Cover

E1431



1989 KX™500 PARTS LIST

Engine Cover

ITEM NAME	PART NUMBER	QUANTITY
GASKET,GENERATOR COVER (Ref # 11009)	11009-1289	1
GASKET,ELBOW (Ref # 11009A)	11009-1446	1
GASKET,WATER PUMP COVER (Ref # 11009B)	11009-1466	1
GASKET,CLUTCH COVER (Ref # 11009C)	11009-1540	1
GUIDE-CHAIN (Ref # 12053)	12053-1172	1
GUIDE-CHAIN (Ref # 12053A)	12053-1206	1
GUIDE (Ref # 13070)	13070-1122	1
LEVER,GOVERNOR (Ref # 13168)	13168-1401	1
LEVER-COMP,GOVERNOR (Ref # 13236)	13236-1182	1
COVER-CHAIN (Ref # 14026)	14026-1158	1
COVER-GENERATOR (Ref # 14031)	14031-1220	1
COVER-CLUTCH (Ref # 14032)	14032-1245	1
CAP-OIL FILLER (Ref # 16115)	16115-018	1
COVER-PUMP (Ref # 16142)	16142-1086	1
BOOT (Ref # 49006)	49006-1179	1
HOLDER-GOVERNOR WEIGHT (Ref # 49111)	49111-1052	1
SHAFT-GOVERNOR (Ref # 49114)	49114-1058	1
SHAFT-GOVERNOR (Ref # 49114A)	49114-1065	1
GAUGE,OIL LEVEL (Ref # 52005)	52005-1055	1
ELBOW (Ref # 52014)	52014-1067	1
GEAR-SPUR,WATER PUMP,11T (Ref # 59051)	59051-1129	1
GEAR-SPUR,GOVERNOR (Ref # 59051A)	59051-1213	1
IMPELLER (Ref # 59256)	59256-1065	1
BOLT,SOCKET,4X8 (Ref # 92002)	92002-1403	1
NUT,FLANGED,6MM (Ref # 92015)	92015-1193	1
WASHER,5.2X13X1 (Ref # 92022)	92022-1380	1
WASHER,6.2X11X1 (Ref # 92022A)	92022-304	1
SPACER,15X28X1 (Ref # 92026)	92026-1238	1
COLLAR (Ref # 92027)	92027-1838	1

1989 KX™500 PARTS LIST

Engine Cover

ITEM NAME	PART NUMBER	QUANTITY
COLLAR,15.2X17X4 (Ref # 92027A)	92027-1839	1
PIN,DOWEL,6.3X8X14 (Ref # 92043)	92042-007	1
PIN,3X12.8 (Ref # 92043A)	92043-1256	1
PIN,2X9.8 (Ref # 92043B)	92043-1293	1
PIN,3X19.8 (Ref # 92043C)	92043-1319	1
BEARING-BALL (Ref # 92045)	92045-1212	1
BEARING-NEEDLE,AXK1102 (Ref # 92046)	92046-1052	1
SEAL-OIL,SB20285 (Ref # 92049)	92049-012	1
SEAL-OIL,SD08144 (Ref # 92049A)	92049-1207	1
SEAL-OIL,MHSD8X18X10J-1 (Ref # 92049B)	92049-1366	1
RING-O,5.5X1.5 (Ref # 92055)	92055-1343	1
SPRING,GOVERNOR (Ref # 92081)	92081-1934	1
BOLT-FLANGED (Ref # 130)	130P0516	1
BOLT-FLANGED (Ref # 130A)	130P0520	1
BOLT-FLANGED-SMALL (Ref # 132)	132G0608	1
BOLT-FLANGED-SMALL (Ref # 132A)	132G0625	1
BOLT-FLANGED-SMALL (Ref # 132B)	132G0630	1
BOLT-FLANGED-SMALL (Ref # 132C)	132G0655	1
SCREW-PAN-CROS (Ref # 220)	220B0306	1
BALL-STEEL,5/16" (Ref # 600)	600A1000	1
ROLLER,4X8 (Ref # 610)	610A0408	1