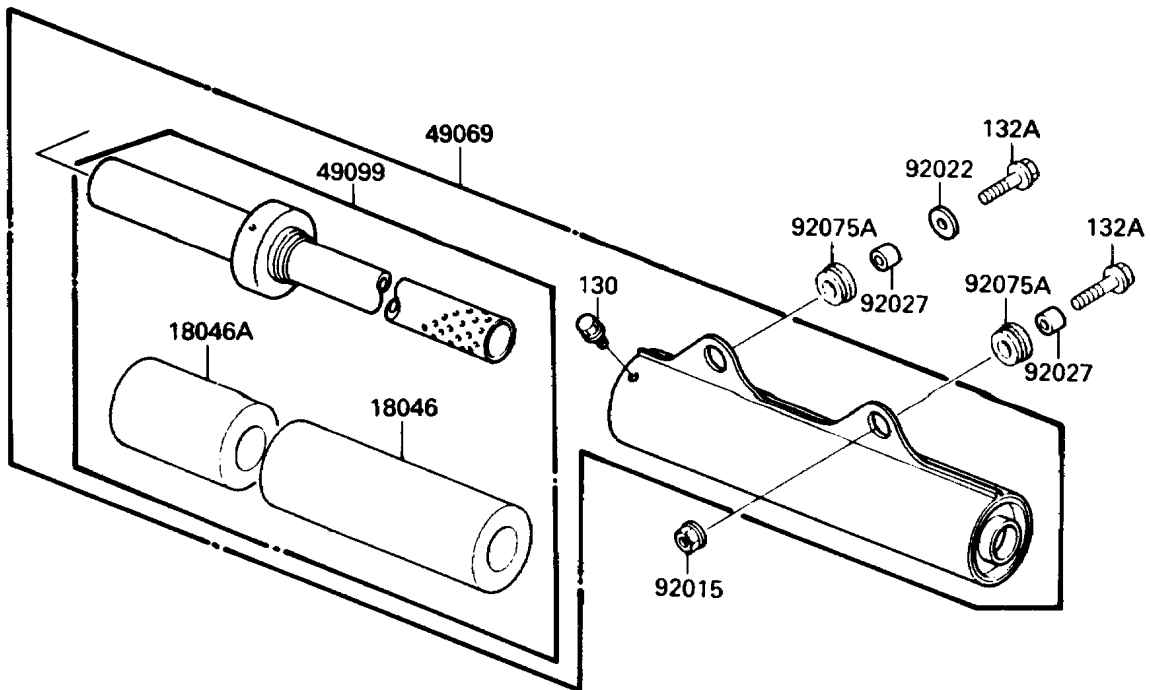
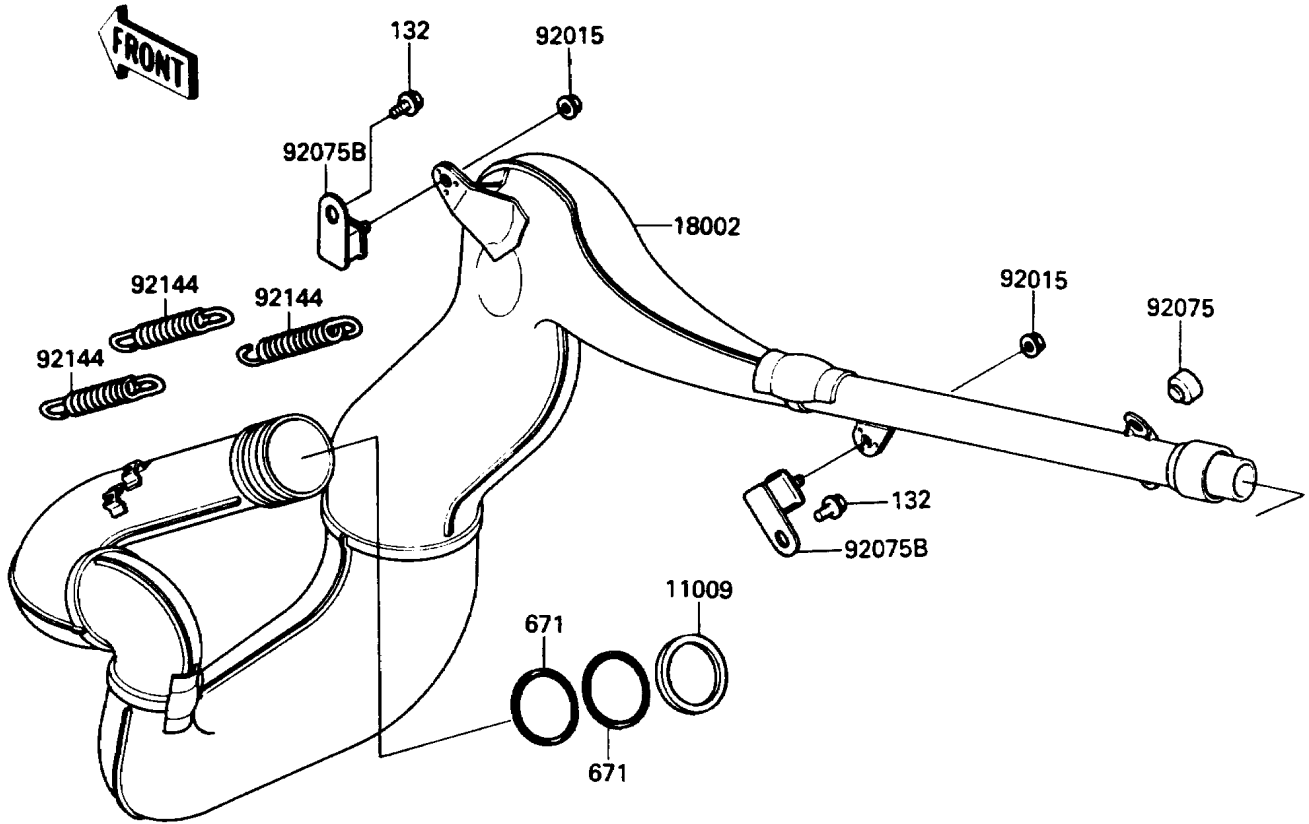


## 1988 KX™500 PARTS DIAGRAM

Muffler(s)

E1140-0287



## 1988 KX™500 PARTS LIST

Muffler(s)

ITEM NAME	PART NUMBER	QUANTITY
GASKET,EXHAUST PIPE (Ref # 11009)	11009-1253	1
BODY-COMP-MUFFLER (Ref # 18002)	18002-1799	1
WOOL,L=200 (Ref # 18046)	18046-1073	1
WOOL,L=130 (Ref # 18046A)	18046-1088	1
MUFFLER-ASSY (Ref # 49069)	49069-1088	1
BAFFLE-PIPE MUFFLER (Ref # 49099)	49099-1246	1
NUT,FLANGED,6MM (Ref # 92015)	92015-1078	1
WASHER,6.5X22X1.6 (Ref # 92022)	92022-237	1
COLLAR,6.8X10X11.5 (Ref # 92027)	92027-1210	1
DAMPER (Ref # 92075)	92075-1598	1
DAMPER,MUFFLER FITTING (Ref # 92075A)	92075-1857	1
DAMPER,MUFFLER (Ref # 92075B)	92075-1891	1
SPRING (Ref # 92144)	92144-1035	1
BOLT-FLANGED (Ref # 130)	130G0508	1
BOLT-FLANGED-SMALL (Ref # 132)	132G0612	1
BOLT-FLANGED-SMALL (Ref # 132A)	132G0625	1
O RING,50MM (Ref # 671)	671E2550	1