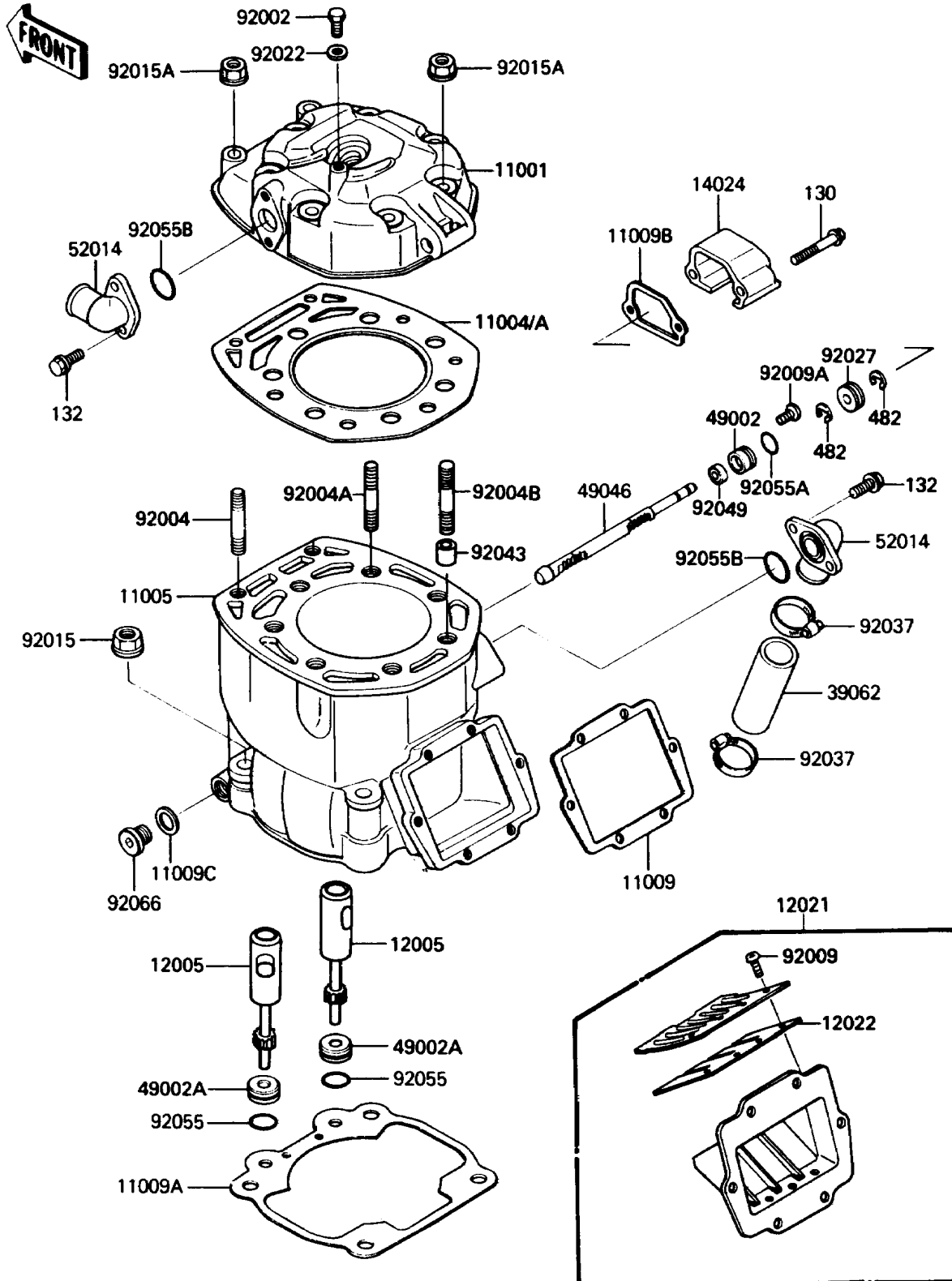


## 1988 KX™500 PARTS DIAGRAM

Cylinder Head/Cylinder

E1110-0045



## 1988 KX™500 PARTS LIST

Cylinder Head/Cylinder

ITEM NAME	PART NUMBER	QUANTITY
HEAD-CYLINDER (Ref # 11001)	11001-1269	1
GASKET-HEAD,T=1.0 (Ref # 11004)	11004-1175	1
GASKET-HEAD,T=0.2 (Ref # 11004A)	11004-1185	1
CYLINDER-ENGINE (Ref # 11005)	11005-1540	1
GASKET,REED VALVE (Ref # 11009)	11009-1252	1
GASKET,CYLINDER BASE (Ref # 11009A)	11009-1537	1
GASKET,GOVERNOR COVER (Ref # 11009B)	11009-1539	1
GASKET,12.5X18X1,DRAIN PLUG (Ref # 11009C)	92065-073	1
VALVE-EXHAUST (Ref # 12005)	12005-1080	1
VALVE-ASSY-REED (Ref # 12021)	12021-1070	1
VALVE-REED (Ref # 12022)	12022-1017	1
COVER,GOVERNOR (Ref # 14024)	14024-1611	1
HOSE-COOLING,19X25X75 (Ref # 39062)	39062-1137	1
GUIDE-VALVE,ROD (Ref # 49002)	49002-1062	1
GUIDE-VALVE (Ref # 49002A)	49002-1072	1
ROD-GOVERNOR (Ref # 49046)	49046-1057	1
ELBOW (Ref # 52014)	52014-1065	1
BOLT,6X10 (Ref # 92002)	92002-1222	1
STUD,8X35 (Ref # 92004)	92004-1009	1
STUD,8X40 (Ref # 92004A)	92004-1139	1
STUD,8X45 (Ref # 92004B)	92004-1175	1
SCREW,3X6 (Ref # 92009)	92009-1371	1
SCREW,5X10 (Ref # 92009A)	92009-1502	1
NUT,FLANGED,10MM (Ref # 92015)	92015-077	1
NUT,8MM (Ref # 92015A)	92015-1143	1
WASHER,6.2X11X1 (Ref # 92022)	92022-304	1
COLLAR,GOVERNOR ROD (Ref # 92027)	92027-1834	1
CLAMP,COOLING HOSE (Ref # 92037)	92037-1589	1
PIN,8.2X10X14 (Ref # 92043)	92043-1264	1

## 1988 KX™500 PARTS LIST

Cylinder Head/Cylinder

ITEM NAME	PART NUMBER	QUANTITY
SEAL-OIL,RSO-5.5X11X4 (Ref # 92049)	92049-1206	1
RING-O,17.5X1.5 (Ref # 92055)	92055-022	1
RING-O (Ref # 92055A)	92055-025	1
RING-O,19.5X1.5 (Ref # 92055B)	92055-055	1
PLUG,12X10 (Ref # 92066)	92066-1222	1
BOLT-FLANGED (Ref # 130)	130G0535	1
BOLT-FLANGED-SMALL (Ref # 132)	132G0616	1
CIRCLIP-TYPE-E,4MM (Ref # 482)	482J4000	1