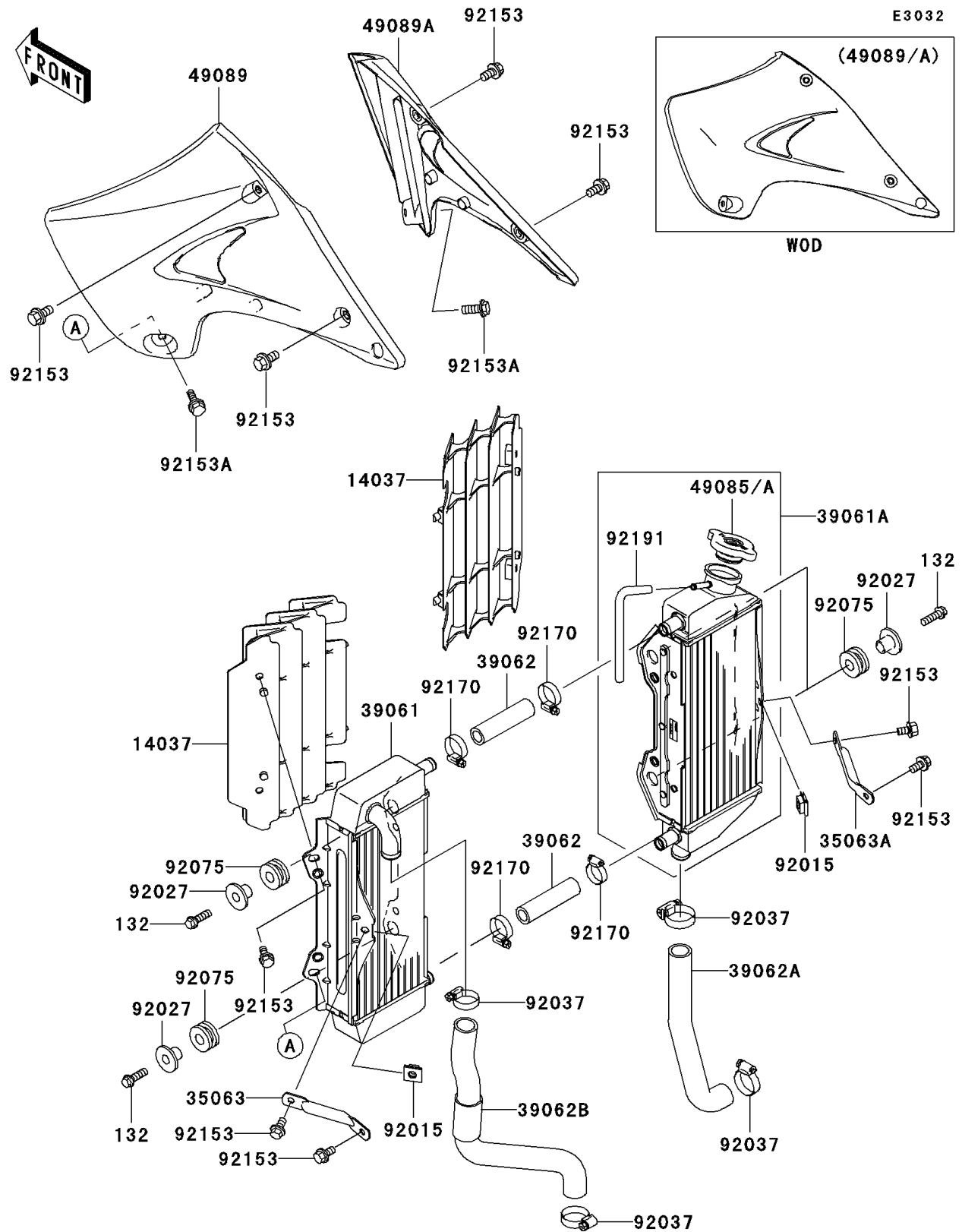


2006 KX™250 PARTS DIAGRAM

Radiator



2006 KX™250 PARTS LIST

Radiator

ITEM NAME	PART NUMBER	QUANTITY
BOLT-FLANGED-SMALL,6X20 (Ref # 132)	132L0620	1
SCREEN,WHITE (Ref # 14037)	14037-0020-RZ	1
STAY,LH (Ref # 35063)	35063-1226	1
STAY,RH (Ref # 35063A)	35063-1227	1
RADIATOR-ASSY,LH (Ref # 39061)	39061-0024	1
RADIATOR-ASSY,RH (Ref # 39061A)	39061-0025	1
HOSE-COOLING,RADIATOR L-R (Ref # 39062)	39062-0043	1
HOSE-COOLING,RAD.RH-PUMP (Ref # 39062A)	39062-0060	1
HOSE-COOLING,HEAD-RAD.LH (Ref # 39062B)	39062-0074	1
CAP-ASSY-PRESSURE,P1.1 (Ref # 49085)	49085-1070	1
CAP-ASSY-PRESSURE,P1.6 (Ref # 49085A)	49085-1073	1
SHROUD-ENGINE,LH,L.GREEN (Ref # 49089)	49089-1150-290	1
SHROUD-ENGINE,RH,L.GREEN (Ref # 49089A)	49089-1151-290	1
NUT (Ref # 92015)	92015-1487	1
COLLAR,L=11.1 (Ref # 92027)	92027-194	1
CLAMP,COOLING HOSE (Ref # 92037)	92037-1589	1
DAMPER (Ref # 92075)	92075-209	1
BOLT,6X12 (Ref # 92153)	92153-0503	1
BOLT,6X20 (Ref # 92153A)	92153-0864	1
CLAMP (Ref # 92170)	92170-1283	1
TUBE,6X9X700 (Ref # 92191)	92191-1211	1