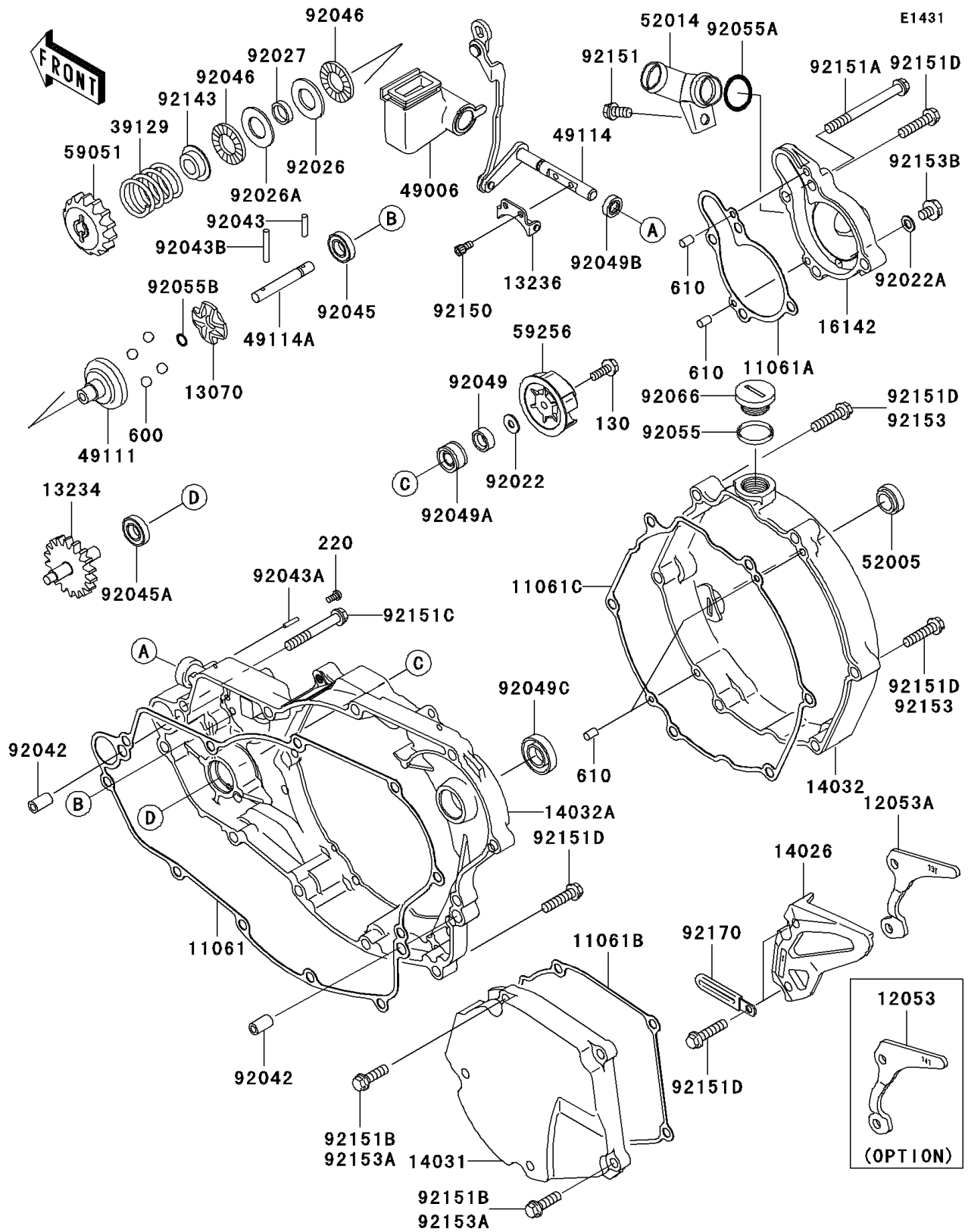


2006 KX™250 PARTS DIAGRAM

Engine Cover(s)



2006 KX™250 PARTS LIST

Engine Cover(s)

ITEM NAME	PART NUMBER	QUANTITY
GASKET,CLUTCH COVER,IN (Ref # 11061)	11061-0095	1
GASKET,PUMP COVER (Ref # 11061A)	11061-0097	1
GASKET,GENERATOR COVER (Ref # 11061B)	11061-0098	1
GASKET,CLUTCH COVER,OUTER (Ref # 11061C)	11061-0144	1
GUIDE-CHAIN,FOR 14T (Ref # 12053)	12053-0033	1
GUIDE-CHAIN,FOR 13T (Ref # 12053A)	12053-0035	1
GUIDE (Ref # 13070)	13070-1206	1
SHAFT-COMP (Ref # 13234)	13234-0016	1
LEVER-COMP,GOVERNOR (Ref # 13236)	13236-1266	1
COVER-CHAIN (Ref # 14026)	14026-0010	1
COVER-GENERATOR (Ref # 14031)	14031-0022	1
COVER-CLUTCH,OUTER (Ref # 14032)	14032-0051	1
COVER-CLUTCH,INNER (Ref # 14032A)	14032-0063	1
COVER-PUMP (Ref # 16142)	16142-0013	1
SPRING-GOVERNOR (Ref # 39129)	39129-0002	1
BOOT (Ref # 49006)	49006-0040	1
HOLDER-GOVERNOR WEIGHT (Ref # 49111)	49111-0001	1
SHAFT-GOVERNOR (Ref # 49114)	49114-0001	1
SHAFT-GOVERNOR (Ref # 49114A)	49114-1074	1
GAUGE,OIL LEVEL (Ref # 52005)	52005-0019	1
ELBOW (Ref # 52014)	52014-0003	1
GEAR-SPUR,GOVERNOR (Ref # 59051)	59051-1399	1
IMPELLER (Ref # 59256)	59256-0005	1
WASHER,5.2X13X1 (Ref # 92022)	92022-1380	1
WASHER,6.2X11X1 (Ref # 92022A)	92022-304	1
SPACER,T=2.0 (Ref # 92026)	92026-1501	1
SPACER,T=1.5 (Ref # 92026A)	92026-1590	1
COLLAR,15.2X17X4 (Ref # 92027)	92027-1839	1
PIN,DOWEL,6.3X8X14 (Ref # 92042)	92042-007	1

2006 KX™250 PARTS LIST

Engine Cover(s)

ITEM NAME	PART NUMBER	QUANTITY
PIN,3X12.8 (Ref # 92043)	92043-1256	1
PIN,2X9.8 (Ref # 92043A)	92043-1293	1
PIN,3X19.8 (Ref # 92043B)	92043-1319	1
BEARING-BALL,#628 (Ref # 92045)	92045-1123	1
BEARING-BALL,608MC3 (Ref # 92045A)	92045-1305	1
BEARING-NEEDLE (Ref # 92046)	92046-1252	1
SEAL-OIL,MA8.0N2 (Ref # 92049)	92049-0033	1
SEAL-OIL (Ref # 92049A)	92049-0034	1
SEAL-OIL,SD08144 (Ref # 92049B)	92049-1207	1
SEAL-OIL,A80984H0 KICK SHAFT (Ref # 92049C)	92049-1594	1
BOLT-FLANGED,5X14 (Ref # 130)	130P0514	1
SCREW-PAN-CROS,3X6 (Ref # 220)	220B0306	1
BALL-STEEL,3/8" (Ref # 600)	600A1200	1
ROLLER,4X8 (Ref # 610)	610A0408	1
RING-O,20X2 (Ref # 92055)	92055-1146	1
RING-O,18.8X2.4 (Ref # 92055A)	92055-1308	1
RING-O,5.5X1.5 (Ref # 92055B)	92055-1343	1
PLUG,OIL (Ref # 92066)	92066-0060	1
COLLAR (Ref # 92143)	92143-1593	1
BOLT,SOCKET,4X8 (Ref # 92150)	92150-1888	1
BOLT,6X12 (Ref # 92151)	92151-1133	1
BOLT,6X65 (Ref # 92151A)	92151-1199	1
BOLT,6X45 (Ref # 92151C)	92151-1336	1
BOLT,FLANGED-SMALL,6X25 (Ref # 92151D)	92151-1930	1
BOLT,FLANGED,6X25 (Ref # 92153)	92153-0604	1
BOLT,FLANGED,6X20 (Ref # 92153A)	92153-0631	1
BOLT,6X8 (Ref # 92153B)	92153-0860	1
CLAMP (Ref # 92170)	92170-1514	1