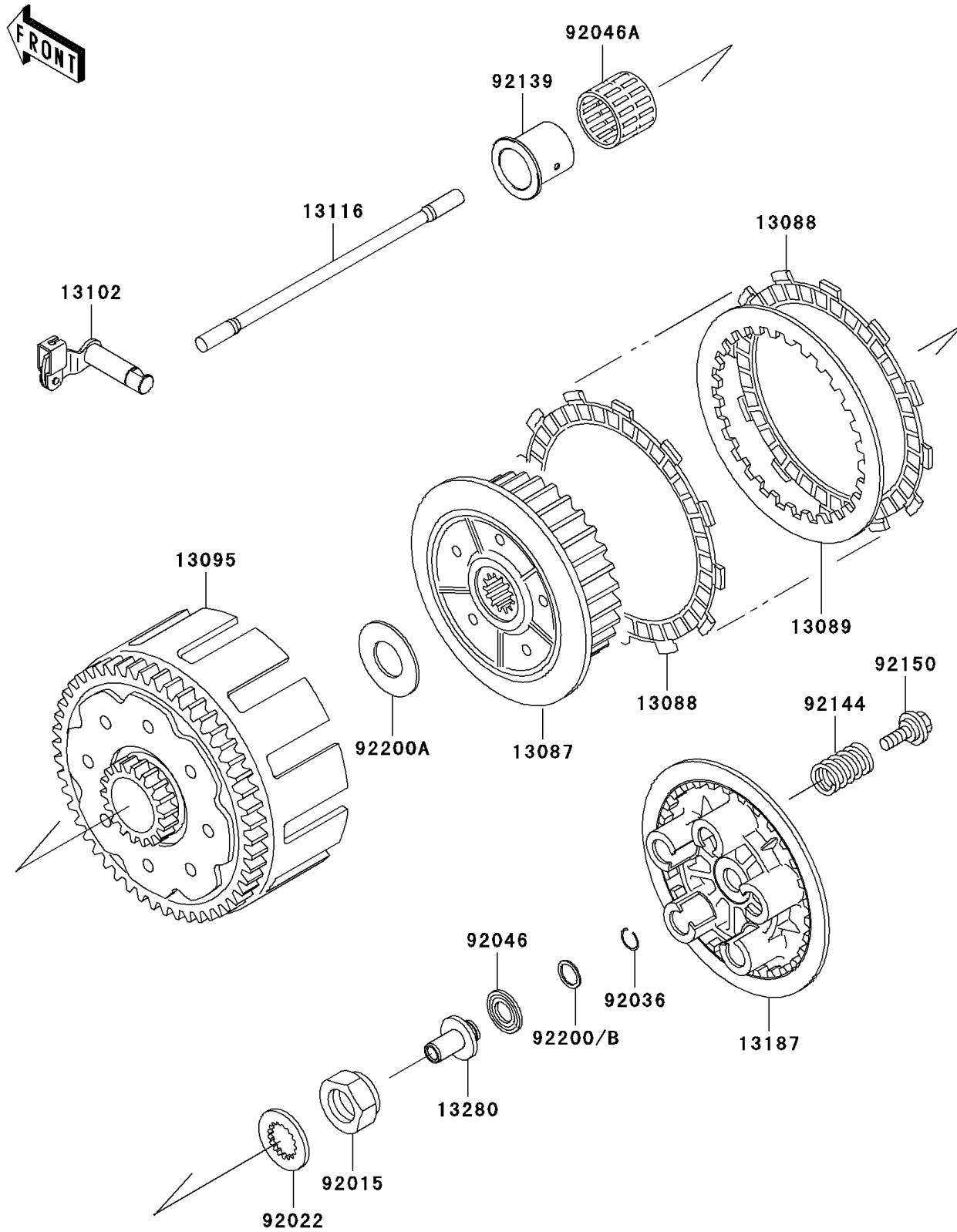


## 2006 KX™250 PARTS DIAGRAM

Clutch

E1350



## 2006 KX™250 PARTS LIST

### Clutch

| ITEM NAME                                 | PART NUMBER | QUANTITY |
|---|-------------|----------|
| HUB-CLUTCH (Ref # 13087)                  | 13087-1168  | 1        |
| PLATE-FRICTION (Ref # 13088)              | 13088-1089  | 1        |
| PLATE-CLUTCH (Ref # 13089)                | 13089-1066  | 1        |
| HOUSING-COMP-CLUTCH (Ref # 13095)         | 13095-0048  | 1        |
| RELEASE-COMP-CLUTCH (Ref # 13102)         | 13102-0014  | 1        |
| ROD-PUSH (Ref # 13116)                    | 13116-1172  | 1        |
| PLATE-CLUTCH OPERATING (Ref # 13187)      | 13187-1090  | 1        |
| HOLDER,CLUTUCH RELEASE (Ref # 13280)      | 13280-1284  | 1        |
| NUT,20MM (Ref # 92015)                    | 92015-1725  | 1        |
| WASHER (Ref # 92022)                      | 92022-1942  | 1        |
| RING-SNAP,PISTON PIN (Ref # 92036)        | 92036-007   | 1        |
| BEARING-NEEDLE,FNTA-1326 (Ref # 92046)    | 92046-1190  | 1        |
| BEARING-NEEDLE,K30X30X29.8 (Ref # 92046A) | 92046-1304  | 1        |
| BUSHING (Ref # 92139)                     | 92139-0096  | 1        |
| SPRING,CLUTCH (Ref # 92144)               | 92144-1351  | 1        |
| BOLT,6X22 (Ref # 92150)                   | 92150-1489  | 1        |
| WASHER,13.4X25X1.0 (Ref # 92200)          | 92200-0045  | 1        |
| WASHER,22.5X47X2 (Ref # 92200A)           | 92200-1143  | 1        |
| WASHER,13.4X25.0X1.5 (Ref # 92200B)       | 92200-1548  | 1        |