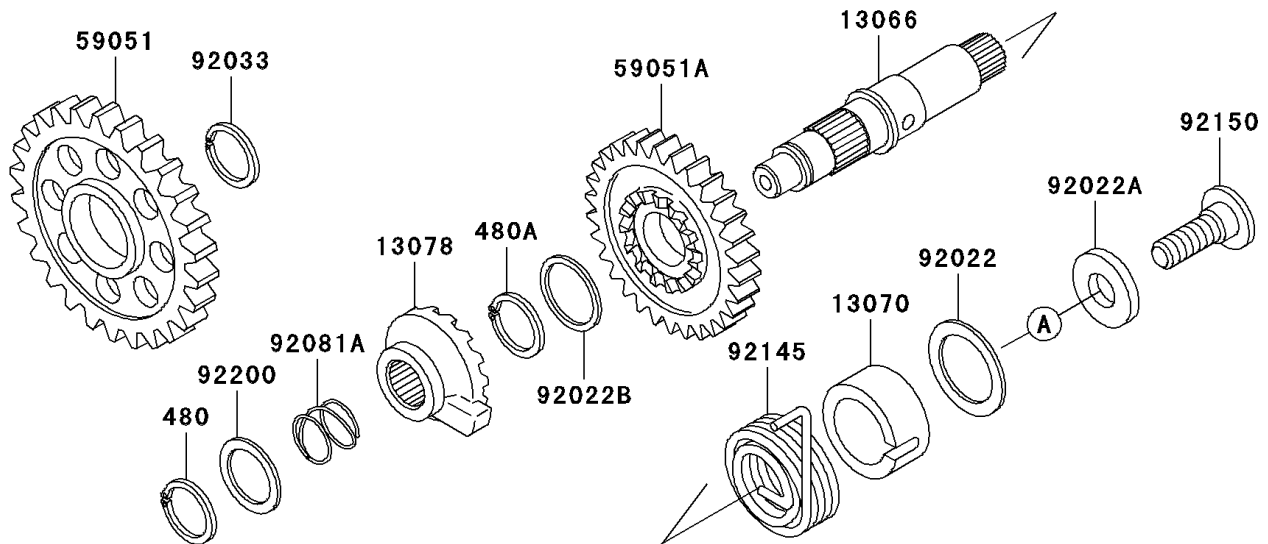
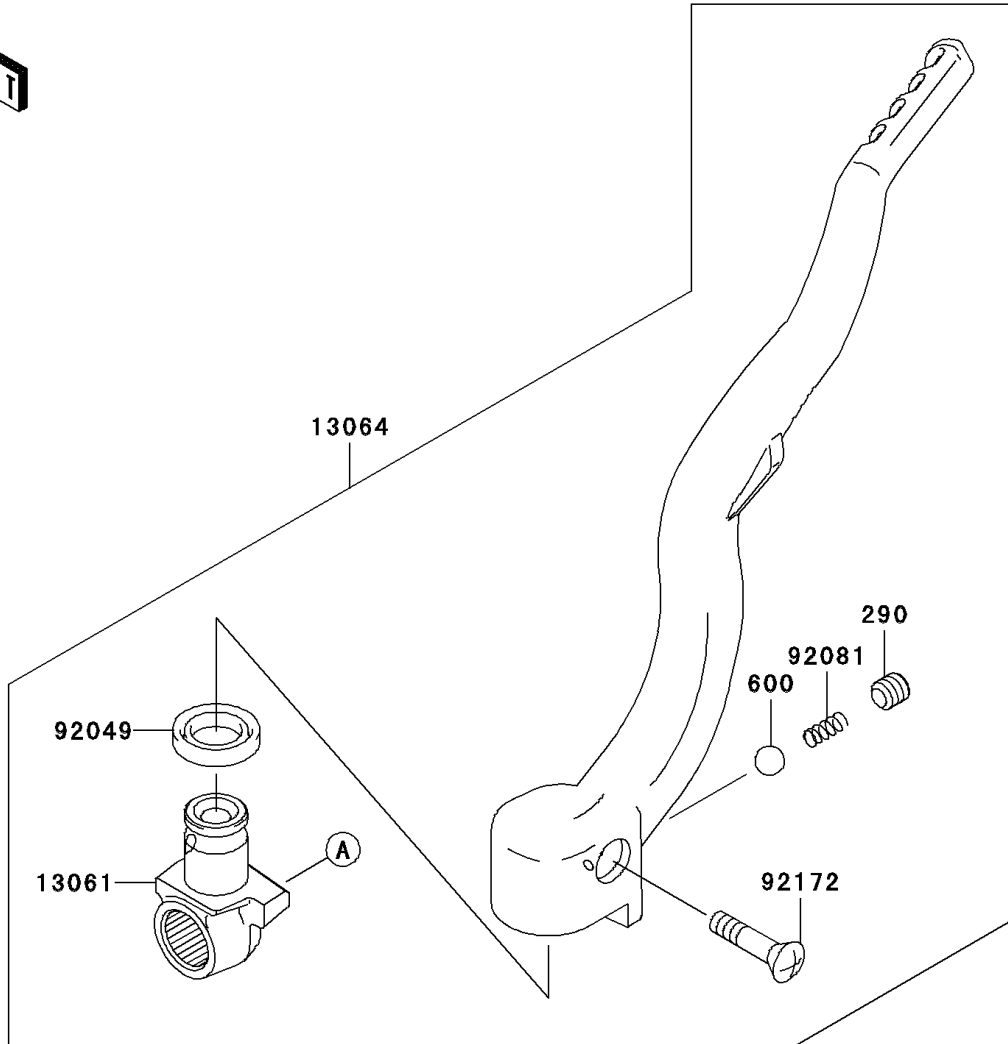


## 2006 KX™250 PARTS DIAGRAM

Kickstarter Mechanism

E1340



## 2006 KX™250 PARTS LIST

Kickstarter Mechanism

ITEM NAME	PART NUMBER	QUANTITY
SCREW-SET-SOCKET,8X8 (Ref # 290)	290P0808	1
CIRCLIP-TYPE-C,16MM (Ref # 480)	480J1600	1
CIRCLIP-TYPE-C,18MM (Ref # 480A)	480J1800	1
BALL-STEEL,1/4" (Ref # 600)	600A0800	1
BOSS (Ref # 13061)	13061-0158	1
LEVER-ASSY-KICK (Ref # 13064)	13064-0036	1
SHAFT-KICK (Ref # 13066)	13066-1107	1
GUIDE,KICK SPRING (Ref # 13070)	13070-1378	1
RATCHET (Ref # 13078)	13078-1063	1
GEAR,KICKSTARTER IDLE,26T (Ref # 59051)	59051-1271	1
GEAR-SPUR,KICK STARTER (Ref # 59051A)	59051-1339	1
WASHER,20.3X28.0X0.5 (Ref # 92022)	92022-1885	1
WASHER (Ref # 92022A)	92022-1944	1
WASHER,18.3X22X0.5 (Ref # 92022B)	92022-271	1
RING-SNAP,18MM (Ref # 92033)	92033-029	1
SEAL-OIL,KICK PEDAL (Ref # 92049)	92049-1387	1
SPRING,KICK PEDAL (Ref # 92081)	92081-020	1
SPRING,RATCHET (Ref # 92081A)	92081-122	1
SPRING,KICKSTARTER (Ref # 92145)	92145-1517	1
BOLT,8X25 (Ref # 92150)	92150-1858	1
SCREW,6X27 (Ref # 92172)	92172-0203	1
WASHER,KICKSHAFT (Ref # 92200)	92200-1209	1