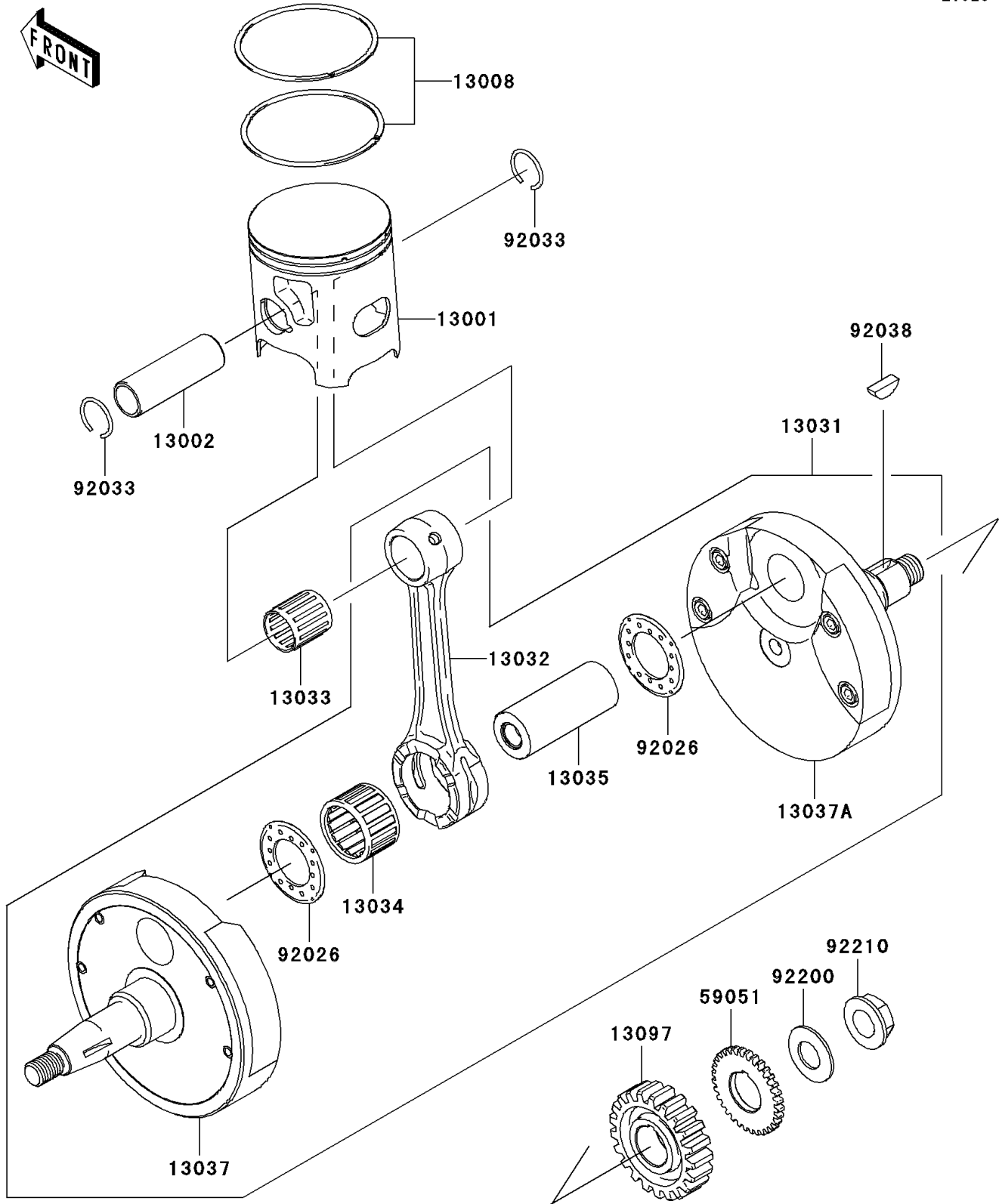


2006 KX™250 PARTS DIAGRAM

Crankshaft/Piston(s)

E1320



2006 KX™250 PARTS LIST

Crankshaft/Piston(s)

ITEM NAME	PART NUMBER	QUANTITY
PISTON-ENGINE,SIZE B (Ref # 13001)	13001-0058	1
PIN-PISTON (Ref # 13002)	13002-1098	1
RING-SET-PISTON (Ref # 13008)	13008-0013	1
CRANKSHAFT-COMP (Ref # 13031)	13031-0050	1
ROD-CONNECTING,WHITE (Ref # 13032)	13032-1279	1
BEARING-NEEDLE,KBK18X22X23.8X (Ref # 13033)	13033-1010	1
BEARING-BIG END,B4 (Ref # 13034)	13034-0005	1
PIN-CRANK (Ref # 13035)	13035-1089	1
CRANKSHAFT,LH (Ref # 13037)	13037-0032	1
CRANKSHAFT,RH (Ref # 13037A)	13037-0062	1
GEAR-PRIMARY SPUR,21T (Ref # 13097)	13097-0039	1
GEAR-SPUR,32T (Ref # 59051)	59051-0050	1
SPACER,24X42X1.6 (Ref # 92026)	92026-1607	1
RING-SNAP,PISTON PIN (Ref # 92033)	92033-1336	1
KEY,WOODRUFF (Ref # 92038)	92038-0001	1
WASHER,14.2X28X1.5 (Ref # 92200)	92200-0217	1
NUT,14MM,LEFT HANDED (Ref # 92210)	92210-0216	1