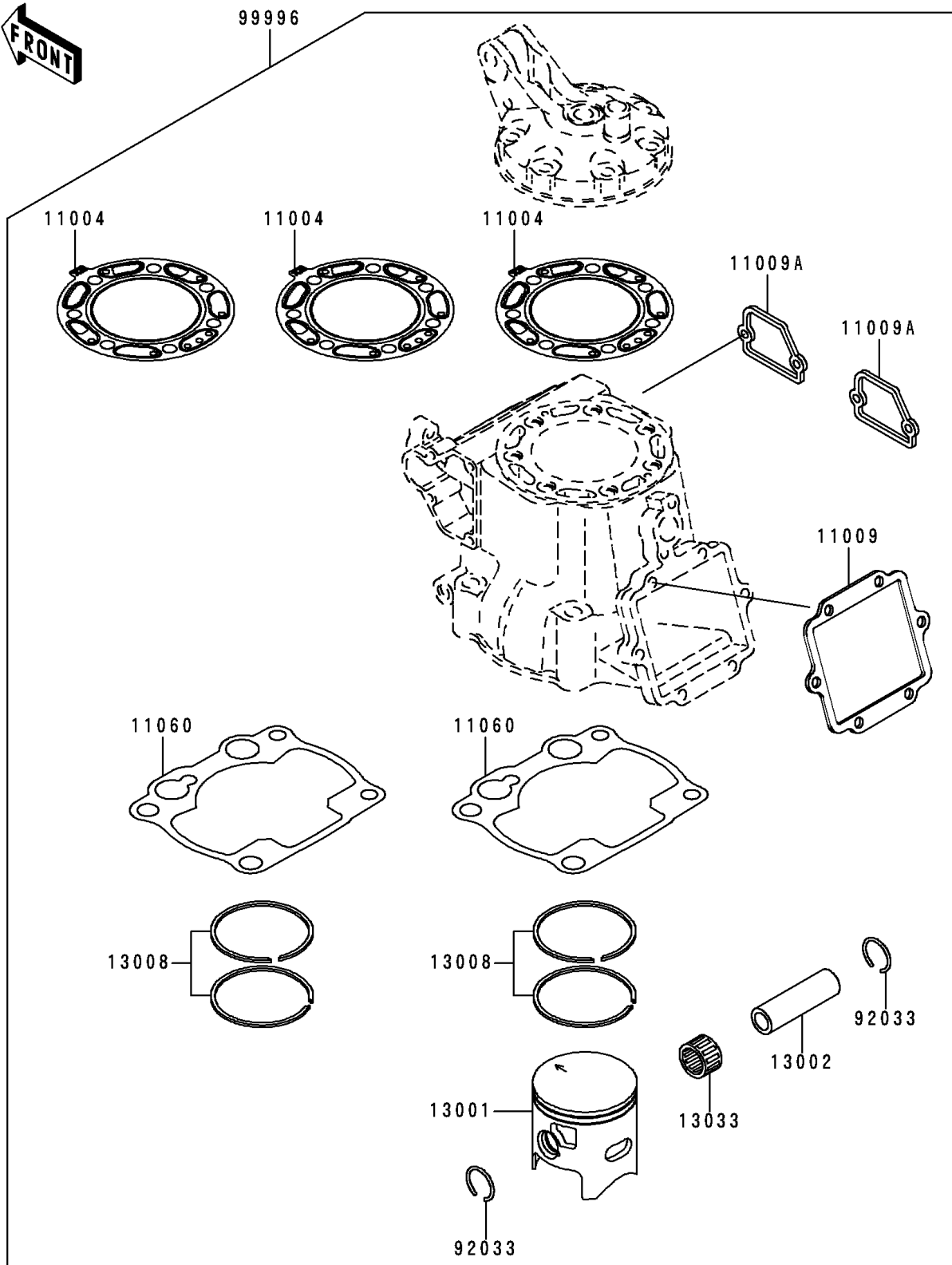


2000 KX™250 PARTS DIAGRAM

Optional Parts

F2890



2000 KX™250 PARTS LIST

Optional Parts

ITEM NAME	PART NUMBER	QUANTITY
GASKET-HEAD,T=0.26 (Ref # 11004)	11004-1240	1
GASKET,REED VALVE (Ref # 11009)	11009-1950	1
GASKET,GOVERNOR COVER (Ref # 11009A)	11009-1960	1
GASKET,CYLINDER BASE (Ref # 11060)	11060-1493	1
PISTON-ENGINE (Ref # 13001)	13001-1550	1
PIN-PISTON (Ref # 13002)	13002-1098	1
RING-SET-PISTON (Ref # 13008)	13008-1173	1
BEARING-NEEDLE,KBK18X22X23.8X (Ref # 13033)	13033-1010	1
RING-SNAP,PISTON PIN (Ref # 92033)	92033-1267	1
KIT,ENGINE TOP END,KX250-L1 (Ref # 99996)	99996-1282	1