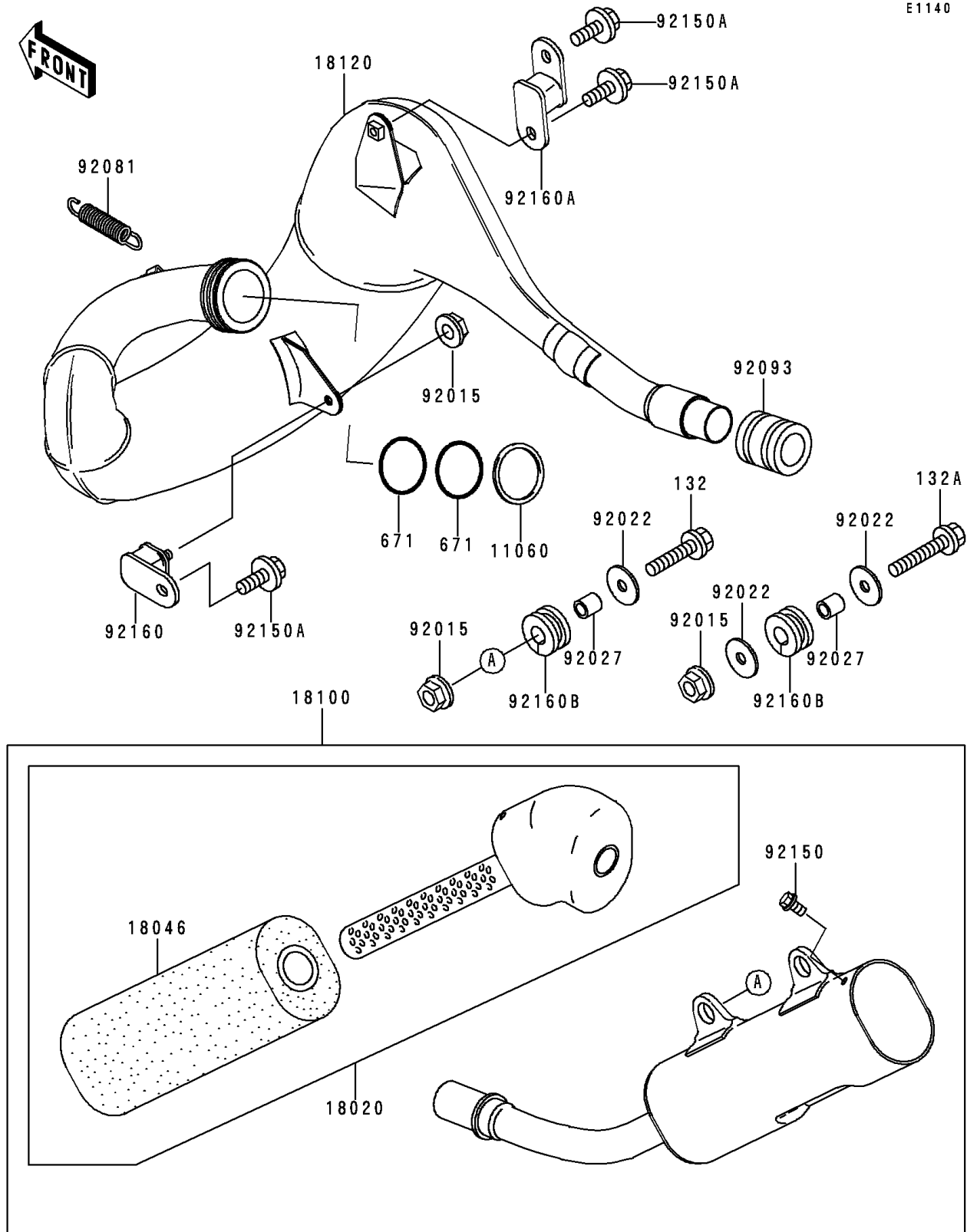


2000 KX™250 PARTS DIAGRAM

Muffler(s)

E1140



2000 KX™250 PARTS LIST

Muffler(s)

ITEM NAME	PART NUMBER	QUANTITY
BOLT-FLANGED-SMALL (Ref # 132)	132G0635	1
BOLT-FLANGED-SMALL (Ref # 132A)	132G0640	1
O RING,50MM (Ref # 671)	671E2550	1
GASKET,EXHAUST PIPE (Ref # 11060)	11060-1689	1
BAFFLE (Ref # 18020)	18020-1237	1
WOOL,BAFFLE PIPE (Ref # 18046)	18046-1397	1
BODY-ASSY-MUFFLER (Ref # 18100)	18100-1078	1
CHAMBER-EXHAUST (Ref # 18120)	18120-1087	1
NUT,FLANGED,6MM (Ref # 92015)	92015-1078	1
WASHER,6.5X22X1.6 (Ref # 92022)	92022-237	1
COLLAR,6.8X10X10.5 (Ref # 92027)	92027-120	1
SPRING (Ref # 92081)	92081-1526	1
SEAL,MUFFLER CONNECTING (Ref # 92093)	92093-1328	1
BOLT,5X8 (Ref # 92150)	92150-1406	1
BOLT,6X12 (Ref # 92150A)	92150-1435	1
DAMPER,MUFFLER,FR (Ref # 92160)	92160-1176	1
DAMPER,MUFFLER,RR (Ref # 92160A)	92160-1201	1
DAMPER,MUFFLER FITTING (Ref # 92160B)	92160-1913	1