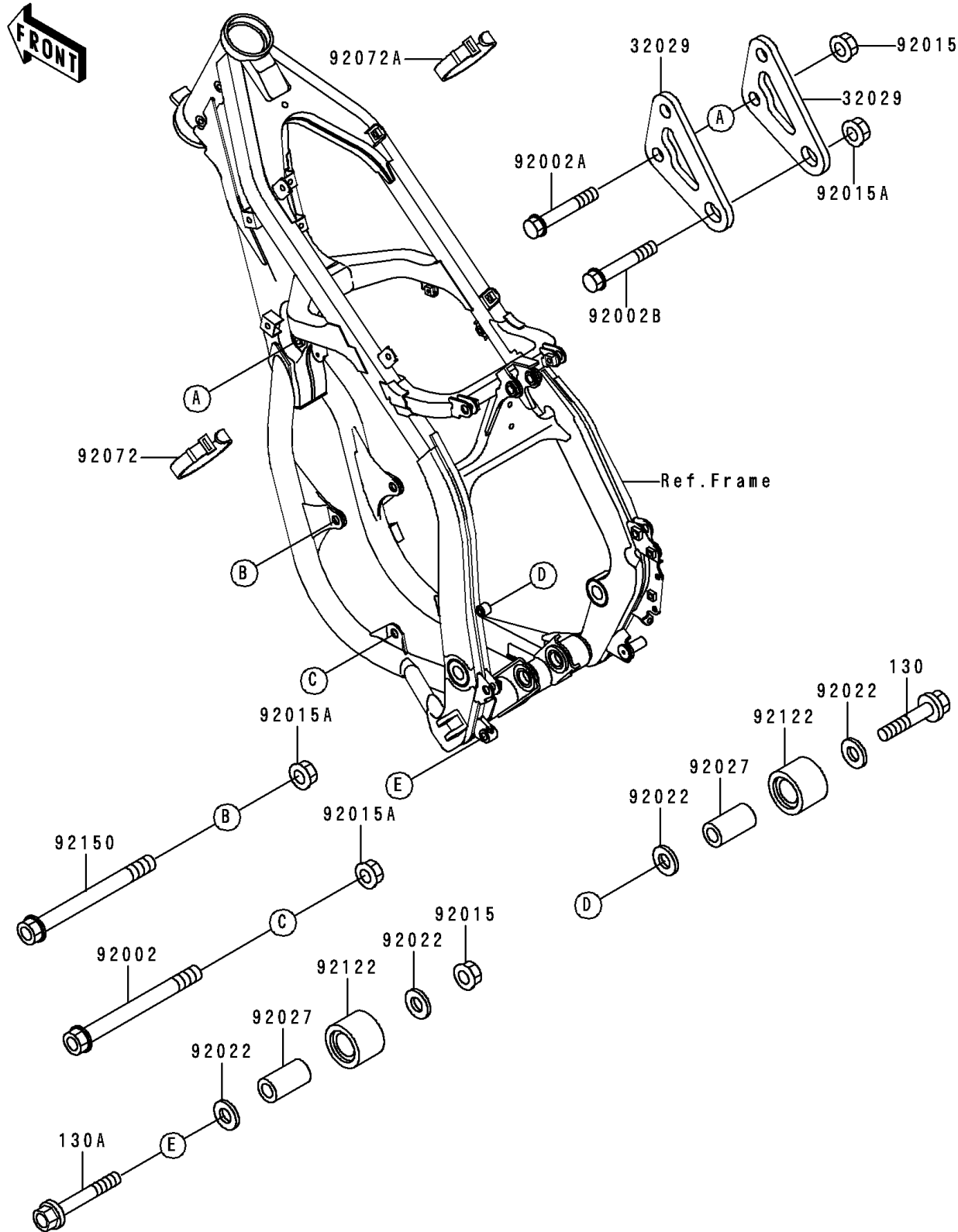


1996 KX™250 PARTS DIAGRAM

Frame Fittings

F2131



1996 KX™250 PARTS LIST

Frame Fittings

ITEM NAME	PART NUMBER	QUANTITY
BOLT-FLANGED,8X40 (Ref # 130)	130G0840	1
BOLT-FLANGED,8X55 (Ref # 130A)	130G0855	1
BRACKET-ENGINE (Ref # 32029)	32029-1944	1
BOLT,FLANGED,10X105 (Ref # 92002)	92002-1491	1
BOLT,FLANGED,8X52 (Ref # 92002A)	92002-1857	1
BOLT,FLANGED,10X53 (Ref # 92002B)	92002-1936	1
NUT,8MM (Ref # 92015)	92015-1432	1
NUT,FLANGED,10MM (Ref # 92015A)	92015-1502	1
WASHER,8.5X22X1.5 (Ref # 92022)	92022-1629	1
COLLAR,CHAIN ROLLER (Ref # 92027)	92027-1670	1
BAND,L=149 (Ref # 92072)	92072-031	1
BAND,L=186 (Ref # 92072A)	92072-056	1
ROLLER,CHAIN GUIDE (Ref # 92122)	92122-1153	1
BOLT,FLANGED,10X95 (Ref # 92150)	92150-1230	1