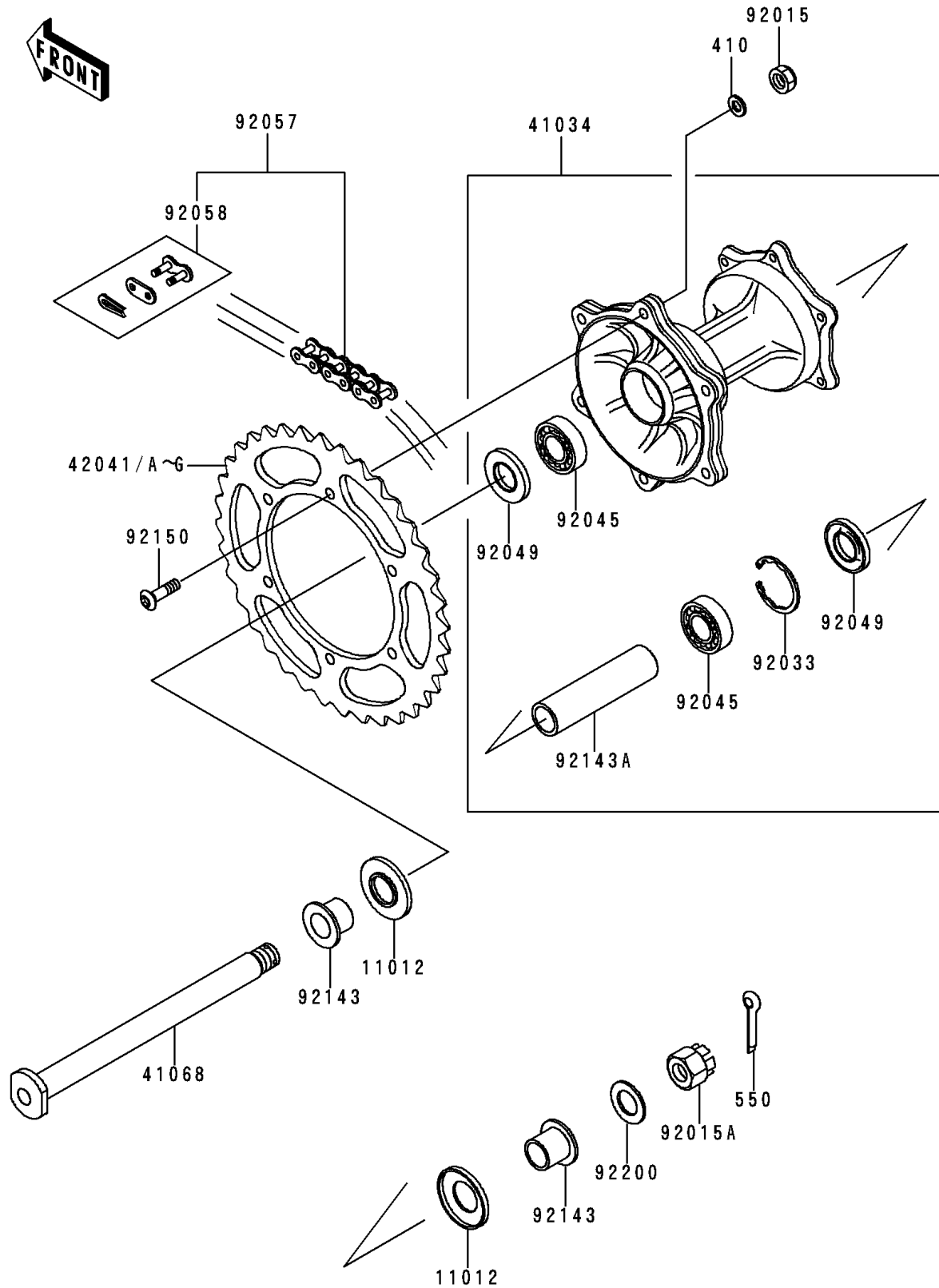


## 1995 KX™250 PARTS DIAGRAM

Rear Hub

F2240



## 1995 KX™250 PARTS LIST

Rear Hub

| ITEM NAME                                  | PART NUMBER | QUANTITY |
|--|-------------|----------|
| WASHER-PLAIN-SMALL,8MM (Ref # 410)         | 410B0800    | 1        |
| PIN-COTTER,3.0X25 (Ref # 550)              | 550D3025    | 1        |
| CAP,AXLE (Ref # 11012)                     | 11012-1581  | 1        |
| DRUM-ASSY,REAR BRAKE (Ref # 41034)         | 41034-1205  | 1        |
| AXLE,RR (Ref # 41068)                      | 41068-1343  | 1        |
| SPROCKET-HUB,51T,AL (Ref # 42041)          | 42041-1104  | 1        |
| SPROCKET-HUB,50T,AL (Ref # 42041A)         | 42041-1255  | 1        |
| SPROCKET-HUB,49T,AL (Ref # 42041B)         | 42041-1256  | 1        |
| SPROCKET-HUB,48T,AL (Ref # 42041C)         | 42041-1257  | 1        |
| SPROCKET-HUB,47T,AL (Ref # 42041D)         | 42041-1258  | 1        |
| SPROCKET-HUB,48T (Ref # 42041E)            | 42041-1383  | 1        |
| SPROCKET-HUB,49T (Ref # 42041F)            | 42041-1384  | 1        |
| SPROCKET-HUB,50T (Ref # 42041G)            | 42041-1408  | 1        |
| NUT,8MM (Ref # 92015)                      | 92015-1432  | 1        |
| NUT,CASTLE,18MM (Ref # 92015A)             | 92015-1885  | 1        |
| RING-SNAP,42MM (Ref # 92033)               | 92033-1041  | 1        |
| BEARING-BALL,6004X8JRLLX2/3A (Ref # 92045) | 92045-1239  | 1        |
| SEAL-OIL,BJNC2 25425 (Ref # 92049)         | 92049-1203  | 1        |
| CHAIN,DRIVE,DID520DSX112L (Ref # 92057)    | 92057-1073  | 1        |
| JOINT-CHAIN,DRIVE (Ref # 92058)            | 92058-1068  | 1        |
| COLLAR,RR AXLE,L=20 (Ref # 92143)          | 92143-1356  | 1        |
| COLLAR,RR BRAKE DRUM,L=105 (Ref # 92143A)  | 92143-1402  | 1        |
| BOLT,SOCKET,8X28 (Ref # 92150)             | 92150-1196  | 1        |
| WASHER,18.5X32X2.3 (Ref # 92200)           | 92200-1149  | 1        |