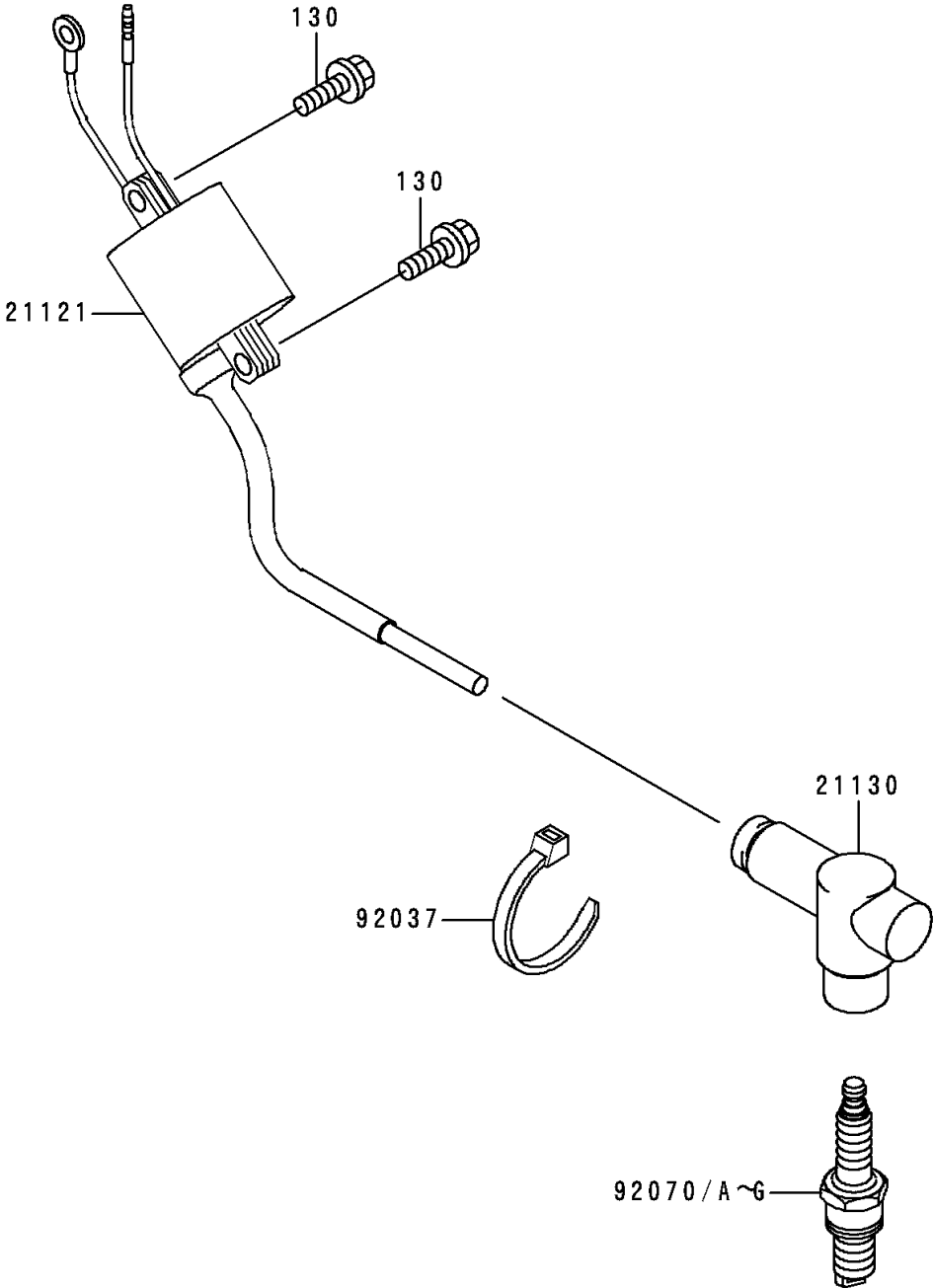


1995 KX™250 PARTS DIAGRAM

Ignition System

E1830



1995 KX™250 PARTS LIST

Ignition System

ITEM NAME	PART NUMBER	QUANTITY
BOLT-FLANGED (Ref # 130)	130G0520	1
COIL-IGNITION (Ref # 21121)	21121-1248	1
CAP-SPARK PLUG (Ref # 21130)	21130-1073	1
CLAMP (Ref # 92037)	92037-1173	1
PLUG-SPARK,R6252E-9(NGK) (Ref # 92070)	92070-1197	1
PLUG-SPARK,R6254E-9(NGK) (Ref # 92070A)	92070-1198	1
PLUG-SPARK,R4630A-9(NGK) (Ref # 92070B)	92070-1206	1
PLUG-SPARK,B8EVX(NGK) (Ref # 92070C)	92070-1214	1
PLUG-SPARK,BR8EVX(NGK) (Ref # 92070D)	92070-1215	1
PLUG-SPARK,R6254E-8(NGK) (Ref # 92070E)	92070-1216	1
PLUG-SPARK,R6252E-8(NGK) (Ref # 92070F)	92070-1217	1
PLUG-SPARK,R4630A-8(NGK) (Ref # 92070G)	92070-1229	1