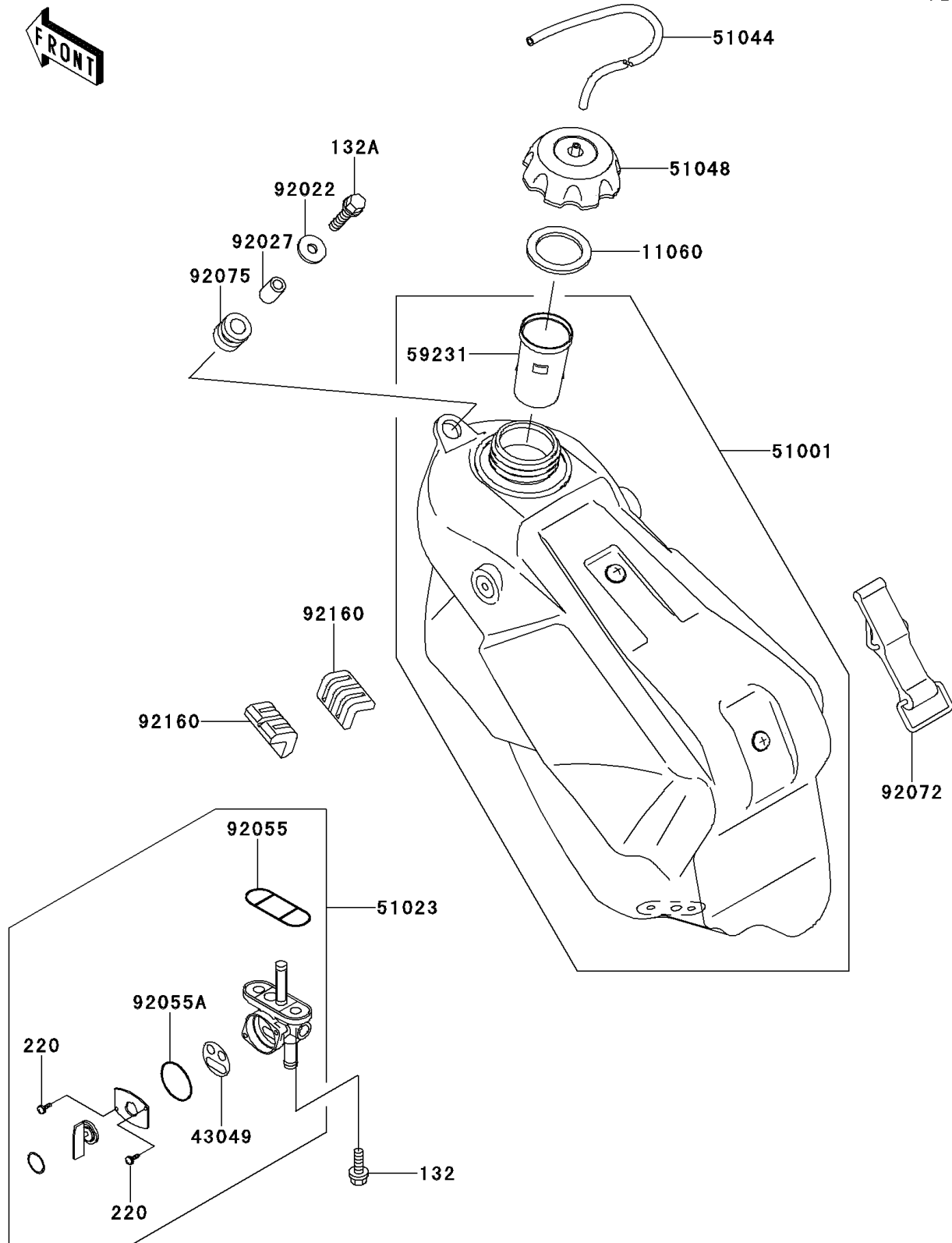


## 2000 KX™125 PARTS DIAGRAM

Fuel Tank

F2410



## 2000 KX™125 PARTS LIST

Fuel Tank

ITEM NAME	PART NUMBER	QUANTITY
BOLT-FLANGED-SMALL (Ref # 132)	132G0612	1
BOLT-FLANGED-SMALL (Ref # 132A)	132G0625	1
SCREW-PAN-CROS (Ref # 220)	220B0308	1
GASKET,FUEL TANK CAP (Ref # 11060)	11060-1340	1
PACKING,TAP VALVE (Ref # 43049)	43049-1066	1
TANK-COMP-FUEL,F.BLACK (Ref # 51001)	51001-1547-6Z	1
TAP-ASSY,FUEL (Ref # 51023)	51023-1252	1
TUBE-ASSY (Ref # 51044)	51044-1185	1
CAP-ASSY-TANK,FUEL (Ref # 51048)	51048-1124	1
FILLER (Ref # 59231)	59231-1096	1
WASHER,6.5X24X2 (Ref # 92022)	92022-1690	1
COLLAR,6.8X10X14 (Ref # 92027)	92027-1966	1
RING-O,FUEL TAP PACKING (Ref # 92055)	92055-1112	1
RING-O,TAP LEVER (Ref # 92055A)	92055-1419	1
BAND,FUEL TANK (Ref # 92072)	92072-1229	1
DAMPER (Ref # 92075)	92075-1787	1
DAMPER,FUEL TANK (Ref # 92160)	92160-1221	1