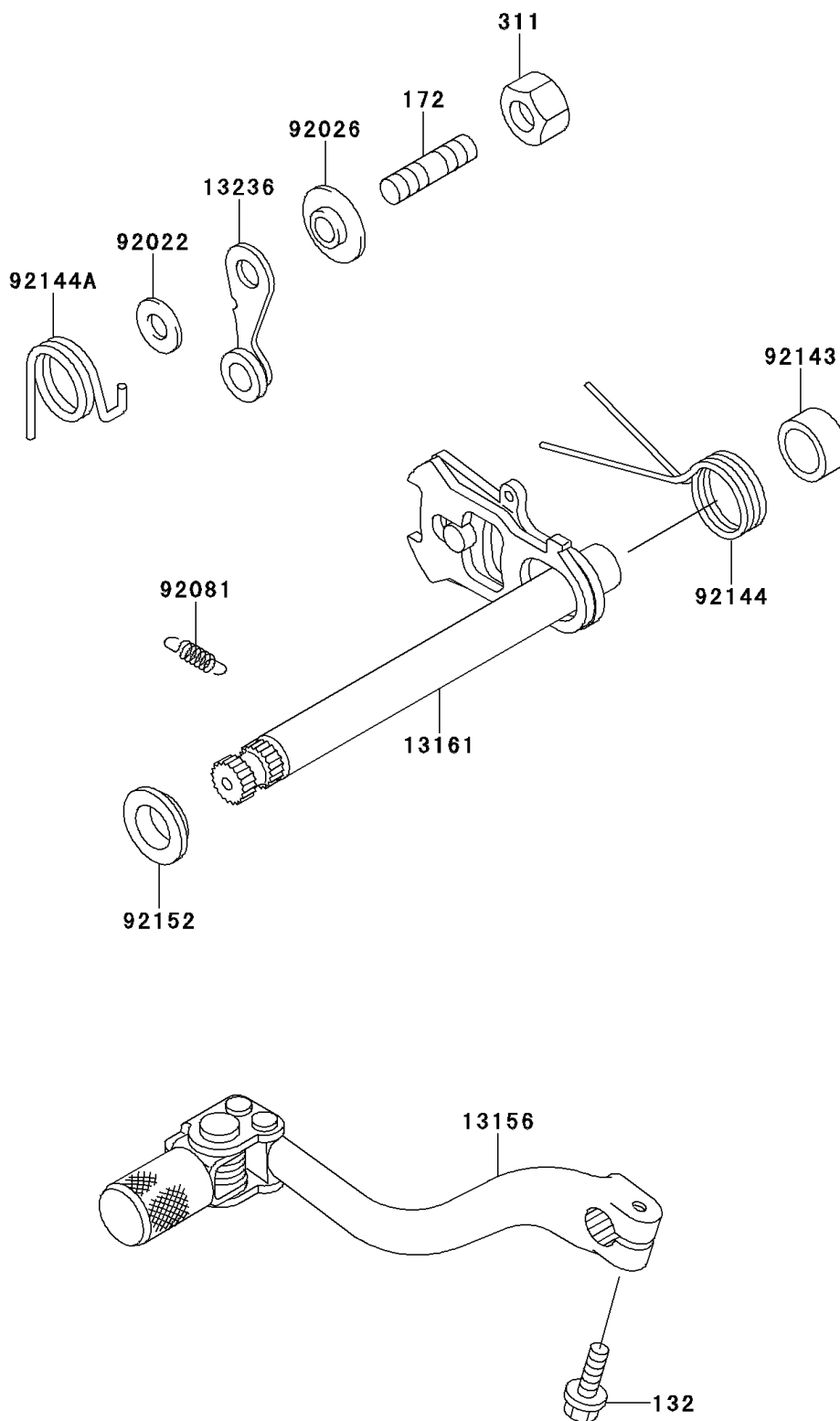


2000 KX™125 PARTS DIAGRAM

Gear Change Mechanism

E1370



2000 KX™125 PARTS LIST

Gear Change Mechanism

| ITEM NAME | PART NUMBER | QUANTITY |
|--|-------------|----------|
| BOLT-FLANGED-SMALL (Ref # 132) | 132G0625 | 1 |
| BOLT-STUD,6X12 (Ref # 172) | 172G0612 | 1 |
| NUT-HEX,6MM (Ref # 311) | 311G0600 | 1 |
| LEVER-CHANGE,PEDAL (Ref # 13156) | 13156-1347 | 1 |
| LEVER-COMP-CHANGE SHAFT (Ref # 13161) | 13161-1255 | 1 |
| LEVER-COMP,POSITION (Ref # 13236) | 13236-1253 | 1 |
| WASHER,6X12.8X1.2 (Ref # 92022) | 92022-1827 | 1 |
| SPACER (Ref # 92026) | 92026-1217 | 1 |
| SPRING,CHANGE LEVER (Ref # 92081) | 92081-076 | 1 |
| COLLAR (Ref # 92143) | 92143-1148 | 1 |
| SPRING,CHANGE SHAFT RETURN (Ref # 92144) | 92144-1736 | 1 |
| SPRING,LEVER POSITION (Ref # 92144A) | 92144-1873 | 1 |
| COLLAR (Ref # 92152) | 92152-1075 | 1 |