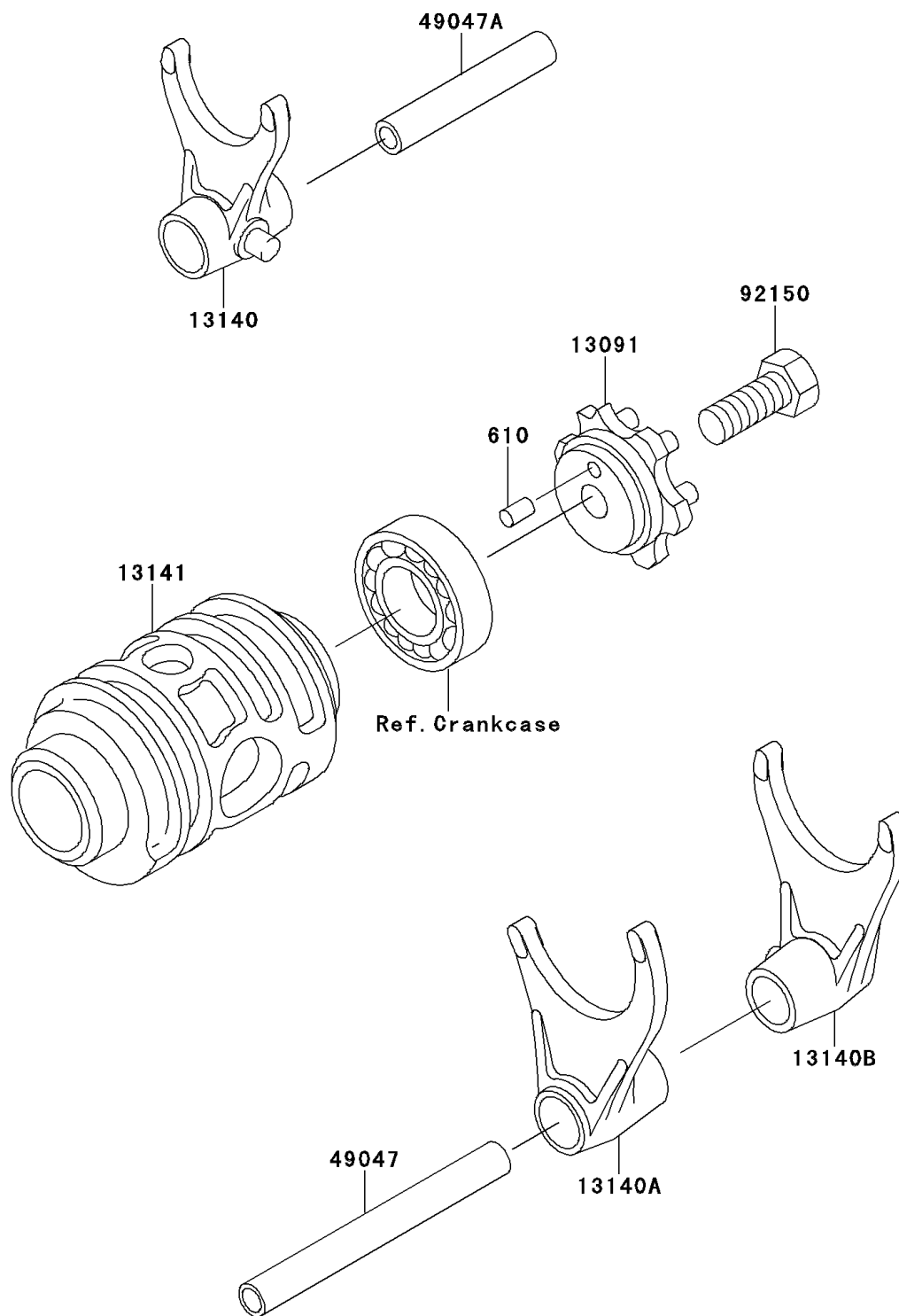


2000 KX™125 PARTS DIAGRAM

Gear Change Drum/Shift Fork(s)

E1362



2000 KX™125 PARTS LIST

Gear Change Drum/Shift Fork(s)

ITEM NAME	PART NUMBER	QUANTITY
ROLLER,4X8 (Ref # 610)	610A0408	1
HOLDER,CHANGE DRUM (Ref # 13091)	13091-1921	1
FORK-SHIFT,2ND&3RD (Ref # 13140)	13140-1251	1
FORK-SHIFT,LOW&4TH (Ref # 13140A)	13140-1252	1
FORK-SHIFT,5TH&TOP (Ref # 13140B)	13140-1253	1
DRUM-CHANGE (Ref # 13141)	13141-1188	1
ROD-SHIFT,L=94 (Ref # 49047)	49047-1086	1
ROD-SHIFT,L=77.5 (Ref # 49047A)	49047-1087	1
BOLT,8X18 (Ref # 92150)	92150-1490	1