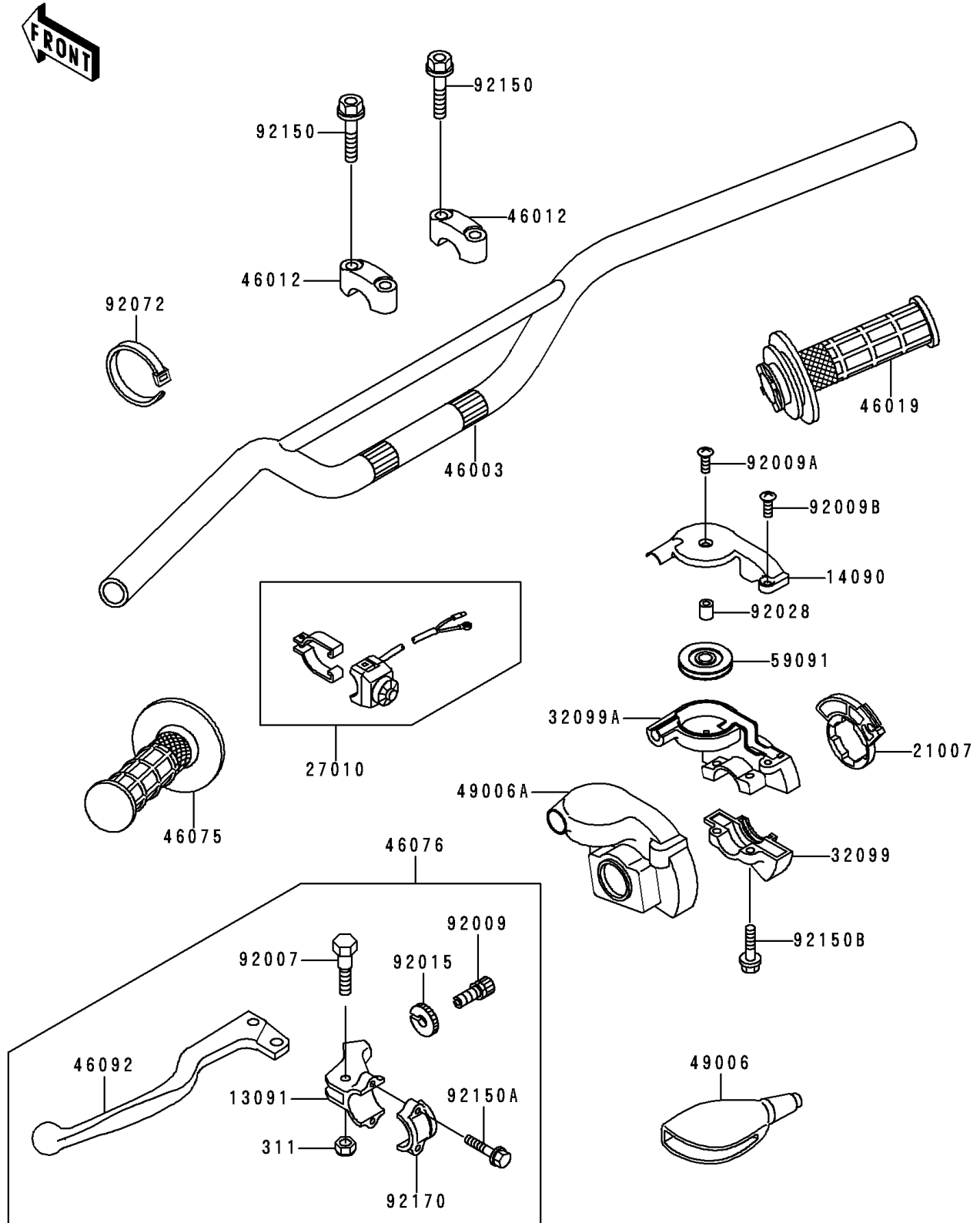


1996 KX™125 PARTS DIAGRAM

Handlebar

F2310



1996 KX™125 PARTS LIST

Handlebar

| ITEM NAME | PART NUMBER | QUANTITY |
|---------------------------------------|---------------|----------|
| NUT-HEX (Ref # 311) | 311C0500 | 1 |
| HOLDER,CLUTCH LEVER (Ref # 13091) | 13091-1728 | 1 |
| COVER,THROTTLE CASE,UPP (Ref # 14090) | 14090-1161 | 1 |
| ROTOR,THROTTLE (Ref # 21007) | 21007-1242 | 1 |
| SWITCH,ENGINE STOP (Ref # 27010) | 27010-1350 | 1 |
| CASE,THROTTLE,LWR (Ref # 32099) | 32099-1138 | 1 |
| CASE,THROTTLE,UPP (Ref # 32099A) | 32099-1168 | 1 |
| HANDLE,L.GREEN (Ref # 46003) | 46003-1423-CC | 1 |
| HOLDER-HANDLE (Ref # 46012) | 46012-1191 | 1 |
| GRIP-ASSY,THROTTLE (Ref # 46019) | 46019-1076 | 1 |
| GRIP,LH (Ref # 46075) | 46075-1024 | 1 |
| LEVER-ASSY-GRIP,CLUTCH (Ref # 46076) | 46076-1181 | 1 |
| LEVER-GRIP,CLUTCH (Ref # 46092) | 46092-1165 | 1 |
| BOOT,LEVER HOLDER (Ref # 49006) | 49006-1017 | 1 |
| BOOT,THROTTLE (Ref # 49006A) | 49006-1301 | 1 |
| PULLEY,THROTTLE (Ref # 59091) | 59091-1102 | 1 |
| BOLT,5X22 (Ref # 92007) | 92007-046 | 1 |
| SCREW,CABLE ADJUST (Ref # 92009) | 92009-1476 | 1 |
| SCREW (Ref # 92009A) | 92009-1674 | 1 |
| SCREW (Ref # 92009B) | 92009-1675 | 1 |
| NUT,CABLE ADJUST LOCK (Ref # 92015) | 92015-1596 | 1 |
| BUSHING,THROTTLE CASE (Ref # 92028) | 92028-1658 | 1 |
| BAND,L=123 (Ref # 92072) | 92072-030 | 1 |
| BOLT,FLANGED,8X30 (Ref # 92150) | 92150-1455 | 1 |
| BOLT (Ref # 92150A) | 92150-1474 | 1 |
| BOLT (Ref # 92150B) | 92150-1559 | 1 |
| CLAMP,LEVER HOLDER (Ref # 92170) | 92170-1226 | 1 |