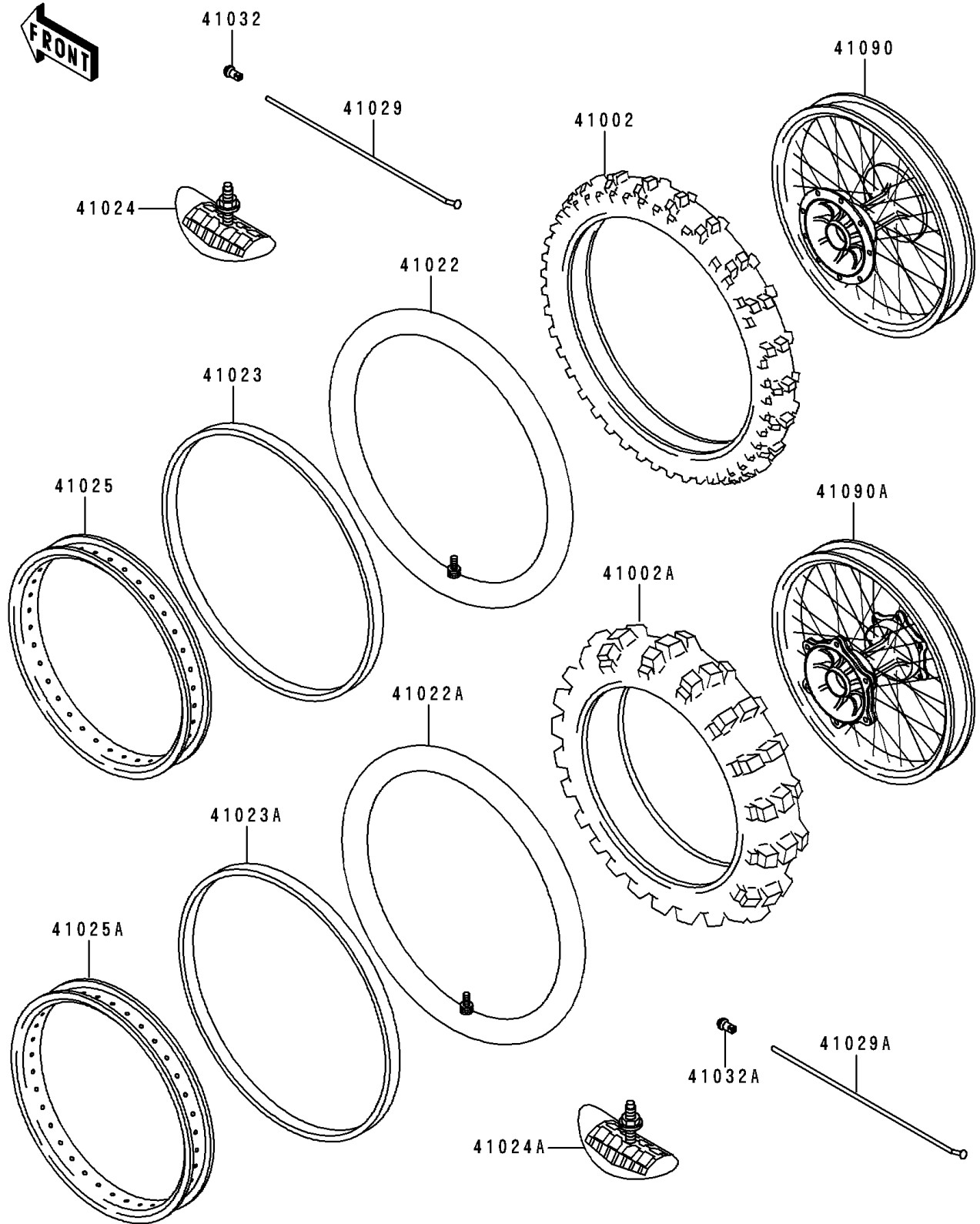


1996 KX™125 PARTS DIAGRAM

Wheels/Tires

F2210



1996 KX™125 PARTS LIST

Wheels/Tires

| ITEM NAME | PART NUMBER | QUANTITY |
|----------------------------------------------|-------------|----------|
| TIRE,FR,80/100-21 51M,K490J(D) (Ref # 41002) | 41002-1803 | 1 |
| TIRE,RR,100/90-19 57M,D737(D) (Ref # 41002A) | 41002-1973 | 1 |
| TUBE-TIRE,80/100-21(D) (Ref # 41022) | 41022-1118 | 1 |
| TUBE-TIRE,100/90-19(D) (Ref # 41022A) | 41022-1129 | 1 |
| BAND-RIM,80/100-21(D) (Ref # 41023) | 41023-1069 | 1 |
| BAND-RIM,90.100/90-19(D) (Ref # 41023A) | 41023-1074 | 1 |
| STOPPER-RIM,1.60-M(DUNLOP) (Ref # 41024) | 41024-010 | 1 |
| STOPPER-RIM,1.85-M(DUNLOP) (Ref # 41024A) | 41024-011 | 1 |
| RIM,FR,1.60X21 (Ref # 41025) | 41025-1241 | 1 |
| RIM,RR,1.85X19 (Ref # 41025A) | 41025-1316 | 1 |
| SPOKE-INNER,FR,230MMX165D (Ref # 41029) | 41029-1197 | 1 |
| SPOKE-INNER,RR,202MMX160D (Ref # 41029A) | 41029-1204 | 1 |
| NIPPLE-SPOKE (Ref # 41032) | 41032-1061 | 1 |
| NIPPLE-SPOKE (Ref # 41032A) | 41032-1064 | 1 |
| WHEEL-SUB ASSY,FR (Ref # 41090) | 41090-1099 | 1 |
| WHEEL-SUB ASSY,RR (Ref # 41090A) | 41090-1102 | 1 |