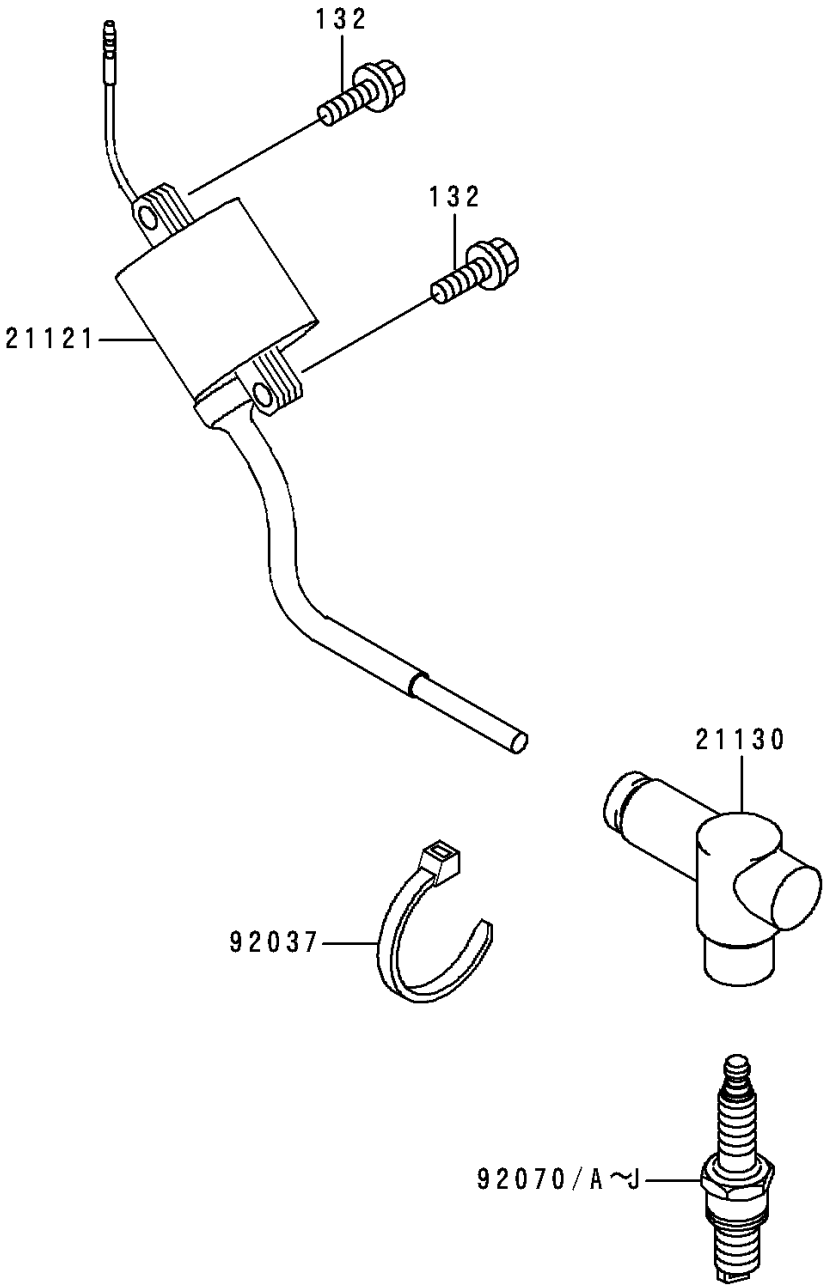


1994 KX™125 PARTS DIAGRAM

Ignition System

E1830



1994 KX™125 PARTS LIST

Ignition System

ITEM NAME	PART NUMBER	QUANTITY
BOLT-FLANGED-SMALL (Ref # 132)	132G0618	1
COIL-IGNITION (Ref # 21121)	21121-1234	1
CAP-SPARK PLUG (Ref # 21130)	21130-1073	1
CLAMP (Ref # 92037)	92037-1173	1
PLUG-SPARK,R4630A-105(NGK) (Ref # 92070)	92070-1185	1
PLUG-SPARK,B10EVX(NGK) (Ref # 92070A)	92070-1186	1
PLUG-SPARK,W31ES-ZU(ND) (Ref # 92070B)		2
PLUG-SPARK,R6252E-9(NGK) (Ref # 92070D)	92070-1197	1
PLUG-SPARK,R6254E-9(NGK) (Ref # 92070E)	92070-1198	1
PLUG-SPARK,R6254K-105(NGK) (Ref # 92070F)	92070-1204	1
PLUG-SPARK,R6252K-105(NGK) (Ref # 92070G)	92070-1205	1
PLUG-SPARK,R4630A-9(NGK) (Ref # 92070H)	92070-1206	1
PLUG-SPARK,B9EVX(NGK) (Ref # 92070I)	92070-1212	1
PLUG-SPARK,BR9EVX(NGK) (Ref # 92070J)	92070-1213	1