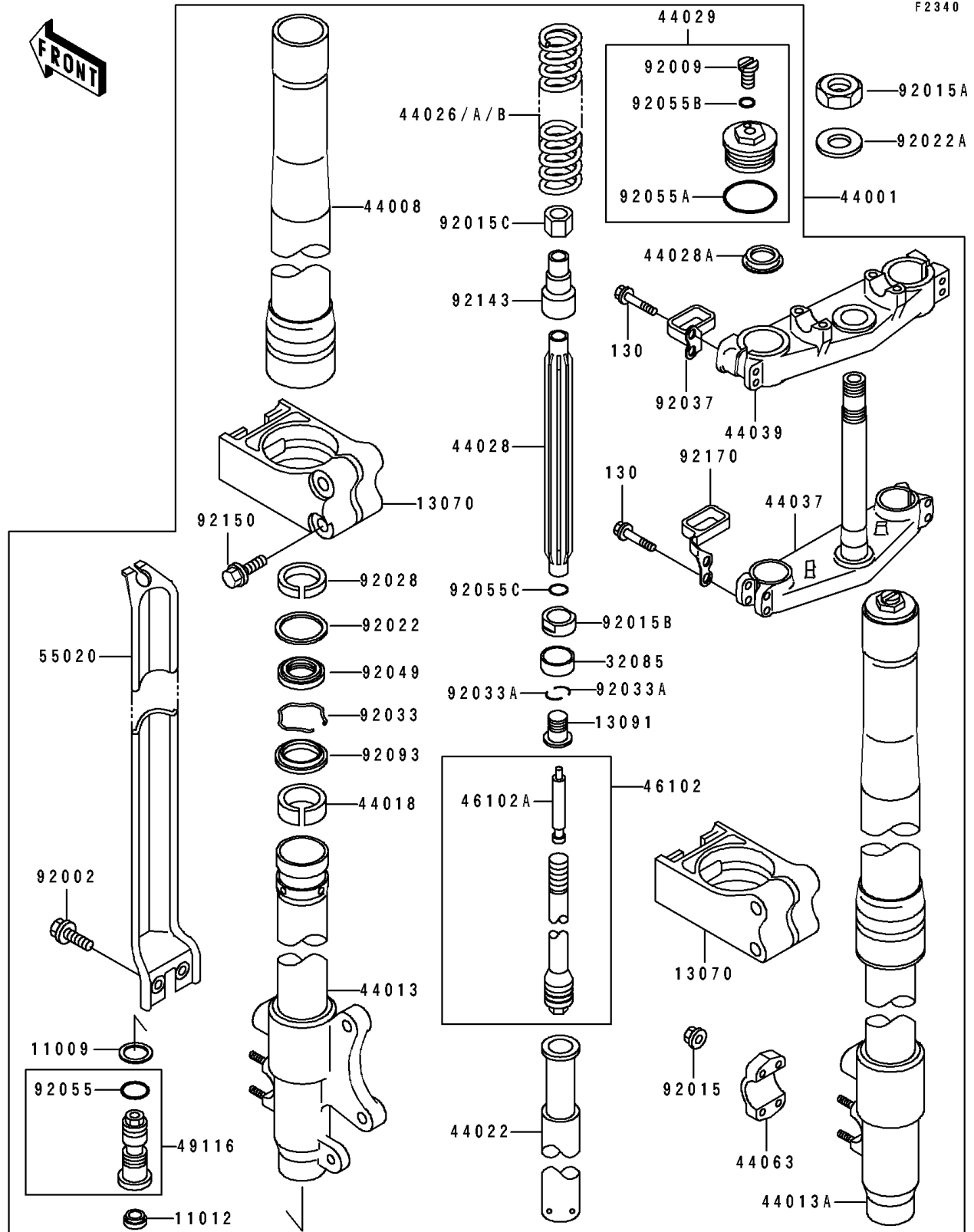


1990 KX™125 PARTS DIAGRAM

Front Fork(KX125-H1)

F2340



1990 KX™125 PARTS LIST

Front Fork(KX125-H1)

ITEM NAME	PART NUMBER	QUANTITY
GASKET (Ref # 11009)	11009-1791	1
CAP (Ref # 11012)	11012-1692	1
GUIDE (Ref # 13070)	13070-1204	1
HOLDER (Ref # 13091)	13091-1651	1
STOPPER (Ref # 32085)	32085-1323	1
FORK-FRONT (Ref # 44001)	44001-1765	1
PIPE-FORK OUTER (Ref # 44008)	44008-1006	1
PIPE-FORK INNER,LH (Ref # 44013)	44013-1307	1
PIPE-FORK INNER,RH (Ref # 44013A)	44013-1308	1
PISTON-FORK (Ref # 44018)	44018-1054	1
CYLINDER-FORK (Ref # 44022)	44022-1248	1
SPRING-FRONT FORK,K=0.365 (Ref # 44026)	44026-1442	1
SPRING-FRONT FORK,K=0,35 (Ref # 44026A)	44026-1451	1
SPRING-FRONT FORK,K=0.38 (Ref # 44026B)	44026-1453	1
GUIDE-FORK SPRING (Ref # 44028)	44028-1069	1
GUIDE-FORK SPRING (Ref # 44028A)	44028-1070	1
SEAT-FORK SPRING (Ref # 44029)	44029-1141	1
HOLDER-FORK UNDER (Ref # 44037)	44037-1263	1
HOLDER-FORK UPPER (Ref # 44039)	44039-1189	1
HOLDER-FRONT AXLE (Ref # 44063)	44063-1056	1
ROD,FORK (Ref # 46102)	46102-1290	1
ROD,FORK (Ref # 46102A)	46102-1303	1
VALVE-ASSY (Ref # 49116)	49116-1087	1
GUARD,FORK (Ref # 55020)	55020-1384	1
BOLT,6X14 (Ref # 92002)	92002-1460	1
SCREW (Ref # 92009)	92009-1568	1
NUT,FLANGED,6MM (Ref # 92015)	92015-1078	1
NUT,STEERING STEM,22MM (Ref # 92015A)	92015-1653	1
NUT (Ref # 92015B)	92015-1805	1

1990 KX™125 PARTS LIST

Front Fork(KX125-H1)

ITEM NAME	PART NUMBER	QUANTITY
NUT (Ref # 92015C)	92015-1806	1
WASHER,FORK OUTER TUBE (Ref # 92022)	92022-1298	1
WASHER,STEERING STEM (Ref # 92022A)	92022-1873	1
BUSHING (Ref # 92028)	92028-1566	1
RING-SNAP (Ref # 92033)	92033-1036	1
RING-SNAP (Ref # 92033A)	92033-1271	1
CLAMP (Ref # 92037)	92037-1628	1
SEAL-OIL (Ref # 92049)	92049-1338	1
RING-O,FORK TOP CAP (Ref # 92055)	92055-1062	1
RING-O (Ref # 92055A)	92055-1115	1
RING-O (Ref # 92055B)	92055-1441	1
RING-O (Ref # 92055C)	92055-1442	1
SEAL (Ref # 92093)	92093-1305	1
COLLAR,FORK (Ref # 92143)	92143-1374	1
BOLT,5X35 (Ref # 92150)	92150-1270	1
CLAMP (Ref # 92170)	92170-1088	1
BOLT-FLANGED,8X40 (Ref # 130)	130G0840	1