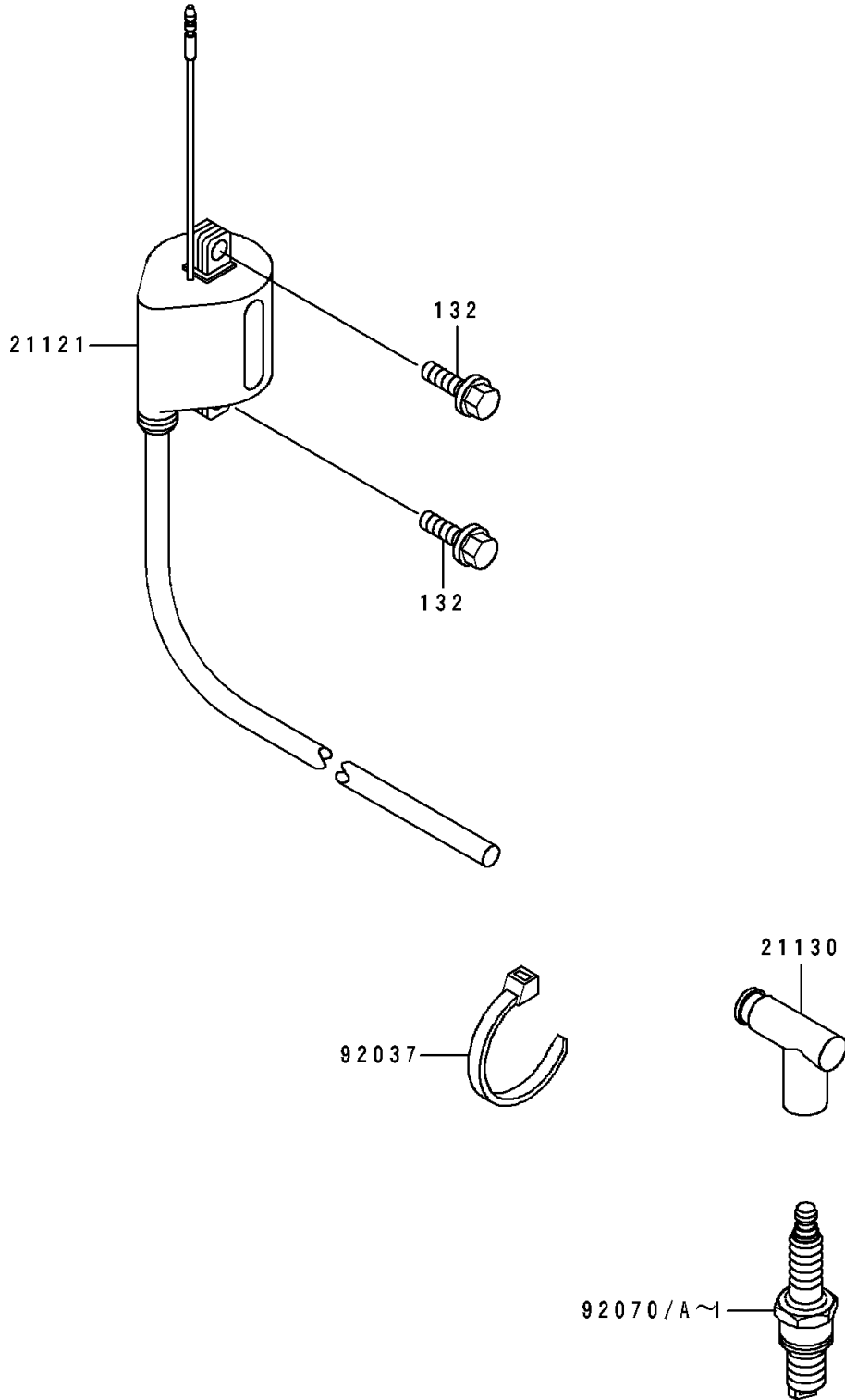


## 1990 KX™125 PARTS DIAGRAM

Ignition Coil

E1830



## 1990 KX™125 PARTS LIST

### Ignition Coil

ITEM NAME	PART NUMBER	QUANTITY
COIL-IGNITION (Ref # 21121)	21121-1181	1
CAP-SPARK PLUG (Ref # 21130)	21130-1062	1
CLAMP (Ref # 92037)	92037-1173	1
PLUG-SPARK,B10EG(NGK) (Ref # 92070)	92070-1132	1
PLUG-SPARK,BR10EG(NGK) (Ref # 92070A)	92070-1133	1
PLUG-SPARK,R4630A-105(NGK) (Ref # 92070B)	92070-1185	1
PLUG-SPARK,B10EVX(NGK) (Ref # 92070C)	92070-1186	1
PLUG-SPARK,W31ES-ZU(ND) (Ref # 92070D)		2
PLUG-SPARK,R6252E-105(NGK) (Ref # 92070G)	92070-1193	1
PLUG-SPARK,R6254E-105(NGK) (Ref # 92070I)	92070-1194	1
BOLT-FLANGED-SMALL (Ref # 132)	132G0618	1