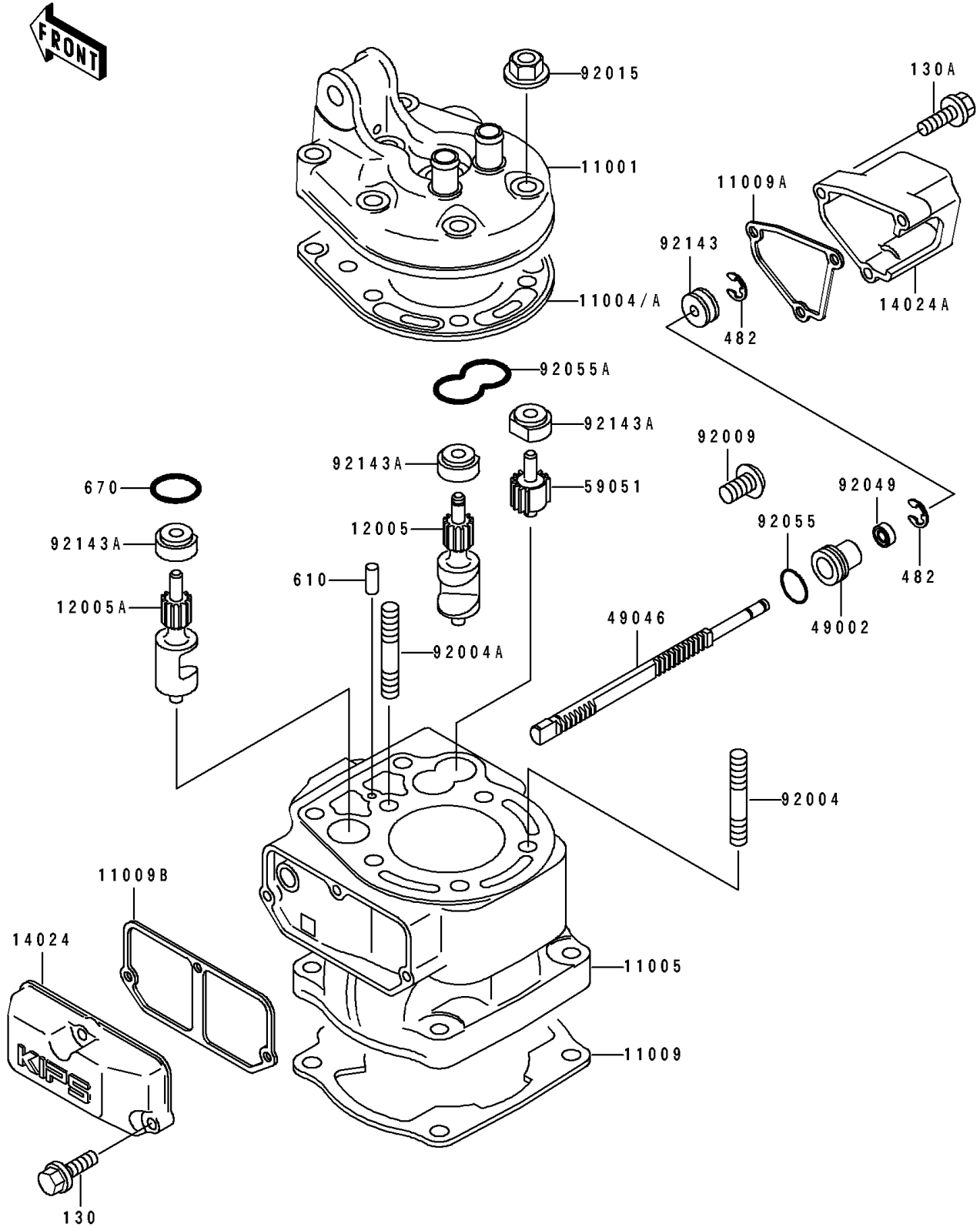


1990 KX™125 PARTS DIAGRAM

Cylinder Head/Cylinder(KX125-H1)

E1110



1990 KX™125 PARTS LIST

Cylinder Head/Cylinder(KX125-H1)

ITEM NAME	PART NUMBER	QUANTITY
HEAD-CYLINDER (Ref # 11001)	11001-1316	1
GASKET-HEAD,T=0.26 (Ref # 11004)	11004-1204	1
GASKET-HEAD,T=0.46 (Ref # 11004A)	11004-1225	1
CYLINDER-ENGINE (Ref # 11005)	11005-1602	1
GASKET,CYLINDER BASE (Ref # 11009)	11009-1824	1
GASKET,RH,GOVERNOR (Ref # 11009A)	11009-1692	1
GASKET,LH,RESONATOR (Ref # 11009B)	11009-1815	1
VALVE-EXHAUST,RH (Ref # 12005)	12005-1145	1
VALVE-EXHAUST,LH (Ref # 12005A)	12005-1153	1
COVER,RESONATOR (Ref # 14024)	14024-1565	1
COVER,GOVERNOR (Ref # 14024A)	14024-1844	1
GUIDE-VALVE (Ref # 49002)	49002-1100	1
ROD-GOVERNOR (Ref # 49046)	49046-1067	1
GEAR-SPUR,IDLE (Ref # 59051)	59051-1222	1
STUD,8X32 (Ref # 92004)	92004-1197	1
STUD,8X32 (Ref # 92004A)	92004-1201	1
SCREW,5X10 (Ref # 92009)	92009-1502	1
NUT,8MM (Ref # 92015)	92015-1143	1
SEAL-OIL,RSO-5.5X11X4 (Ref # 92049)	92049-1206	1
RING-O,14.5X1.5 (Ref # 92055)	92055-1399	1
RING-O (Ref # 92055A)	92055-1439	1
COLLAR (Ref # 92143)	92143-1056	1
COLLAR,VALVE (Ref # 92143A)	92143-1296	1
BOLT-FLANGED (Ref # 130)	130G0520	1
BOLT-FLANGED (Ref # 130A)	130G0525	1
CIRCLIP-TYPE-E,4MM (Ref # 482)	482J4000	1
ROLLER,4X8 (Ref # 610)	610A0408	1
O RING,15MM (Ref # 670)	670B2015	1